



## MM4532 SERIES ~ Wire Wound Chip Common Mode Choke



### FEATURES

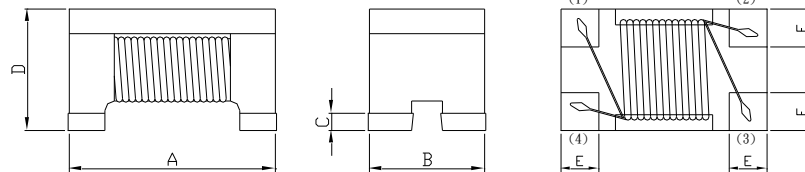
1. Miniature surface mount component – 4.5 × 3.2 mm footprint, 2.8 mm high
2. Application for CAN-BUS, Fax, ISDN, FlexRay system , Ethernet System .
3. RoHS-compliant, halogen free. 260°C compatible.

### PART NUMBERING SYSTEM

<b>MM</b>	<b>4 5 3 2</b>	—	<b>5 1 0</b>	—	<b>LF</b>
TYPE	DIMENSIONS		INDUCTANCE		LEAD FREE

### SHAPES AND DIMENSIONS

UNIT : mm



A=4.5±0.2 B=3.2±0.2 C=0.2±0.1 D=2.8±0.2 E = 1.2 Typ. F=1.0 Typ.

### SPECIFICATION TABLE

PART NUMBER	IMPEDANCE(Ω) (at 10MHz/ 25degree)	L(uH) Common Mode Inductance (at 100KHz)	RATED CURRENT (mA)	DCR (Ω) (Max)	RATED VOLTAGE (Vdc)	INSULATION RESISTANCE (MΩ)
MM4532-110-LF	300Min. (500Typ.)	11+50%/-30%	250	0.60	50	10 min.
MM4532-220-LF	500Min. (1,000Typ.)	22+50%/-30%	200	1.00	50	10 min.
MM4532-510-LF	1,000Min. (2,000Typ.)	51+50%/-30%	200	1.00	50	10 min.
MM4532-101-LF	2,000Min. (5,000Typ.)	100+50%/-30%	100	3.00	50	10 min.

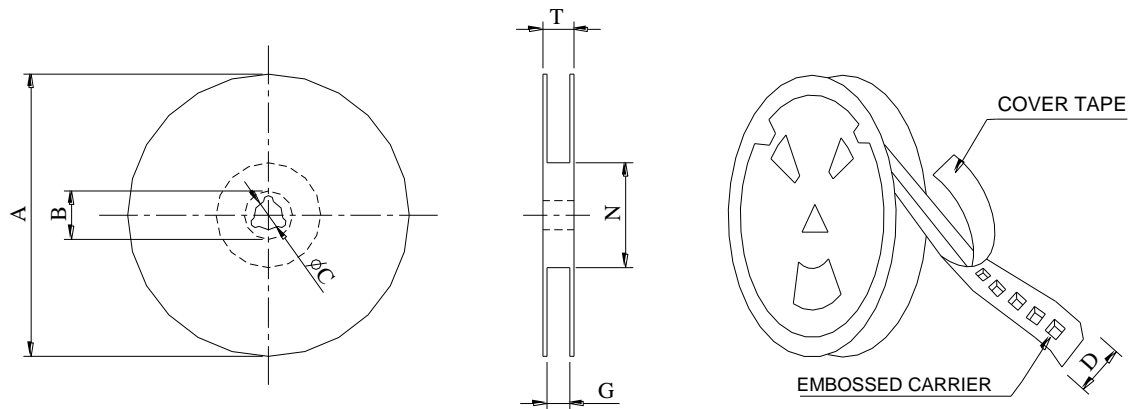
Operating Temperature Range : -40°C to 125°C



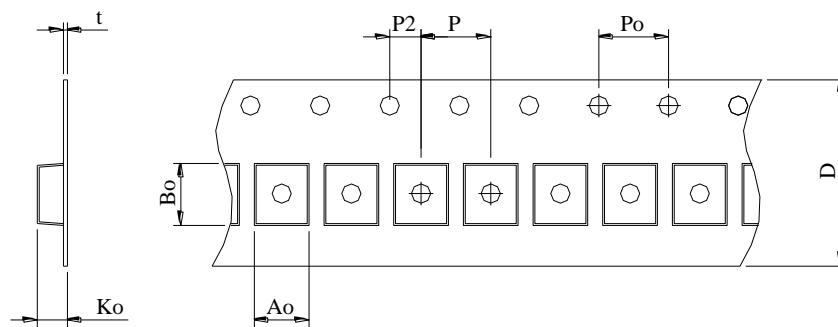
## MM4532 SERIES ~ Wire Wound Chip Common Mode Choke



### PACKAGING SPECIFICATION



\*CARRIER TAPE WIDTH : D



SERIES	STAYLE	Q'TY (PCS)	DIMENSIONS (m/m)								
			A	Ao	Bo	Ko	t	N	P	Po	T
MM4532	178	500	178	3.45	4.90	3.05	0.24	60	8	4	12



## MM4532 SERIES ~ Wire Wound Chip Common Mode Choke



### Curve

