

MM3225 SERIES ~ Wire Wound Chip Common Mode Chokes



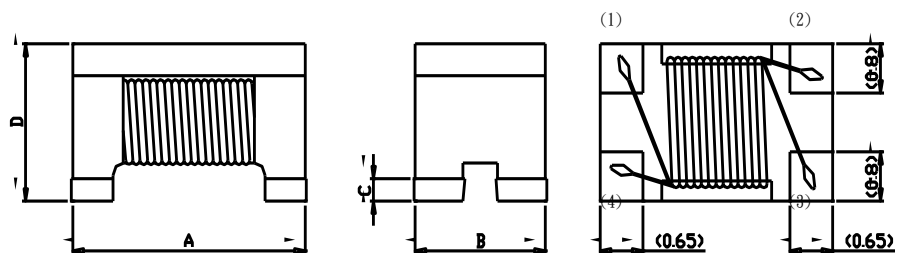
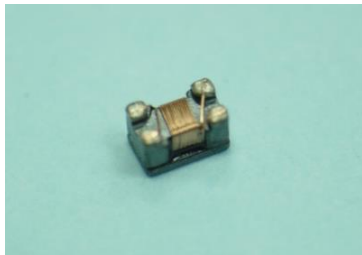
FEATURES

1. Miniature surface mount component – 3.2 × 2.5 mm footprint, 2.2 mm high
2. Application for CAN-BUS, Fax, ISDN, FlexRay system , Ethernet System .
3. RoHS-compliant, halogen free. 260°C compatible.

PART NUMBERING SYSTEM

MM	3225	—	102	—	LF
TYPE	DIMENSIONS		INDUCTANCE		LEAD FREE

SHAPES AND DIMENSIONS



A=3.2±0.2 B=2.5±0.2 C=0.2±0.1 D=2.2±0.2

SPECIFICATION TABLE

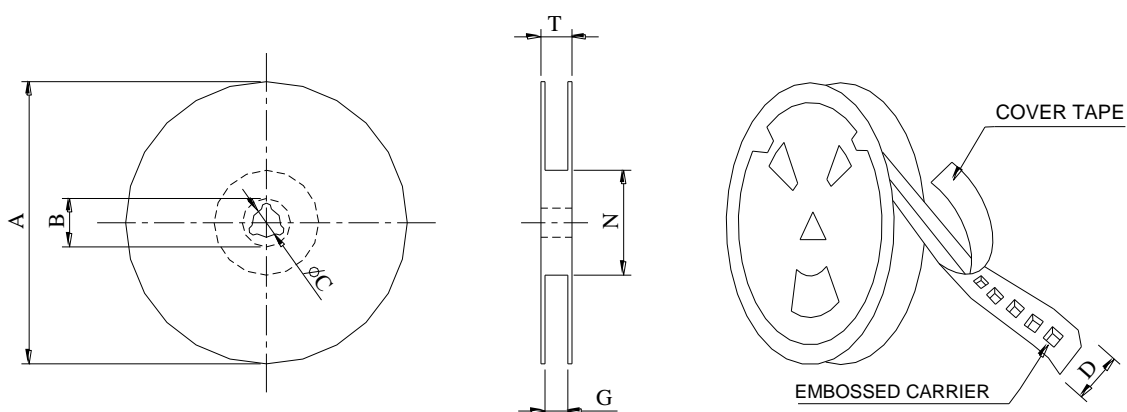
PART NUMBER	Common Mode Impedance(Ω) (at 100MHz)	RATED CURRENT (mA)	DCR (Ω) (Max)	RATED VOLTAGE (Vdc)	INSULATION RESISTANCE (MΩ)
MM3225-800-LF	80±25%	2,000	0.15	50	10 min.
MM3225-601-LF	600±25%	1,000	0.25	50	10 min.
MM3225-102-LF	1,000±25%	1,200	0.35	50	10 min.

Operating Temperature Range : -40°C to 105°C

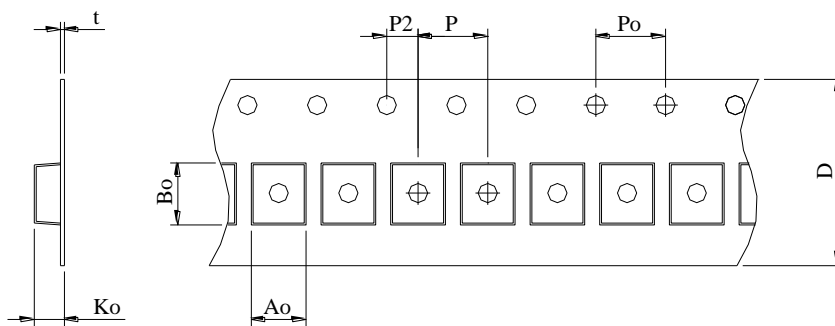
MM3225 SERIES ~ Wire Wound Chip Common Mode Chokes



PACKAGING SPECIFICATION



*CARRIER TAPE WIDTH : D



SERIES	STAYLE	Q'TY (PCS)	DIMENSIONS (m/m)								
			A	Ao	Bo	Ko	t	N	P	Po	D
MM3225	178	1,000	178	2.8	3.60	2.20	0.24	60	4	4	8.0