



# SDC6D28 SERIES

## SMD Shielded Power Inductors



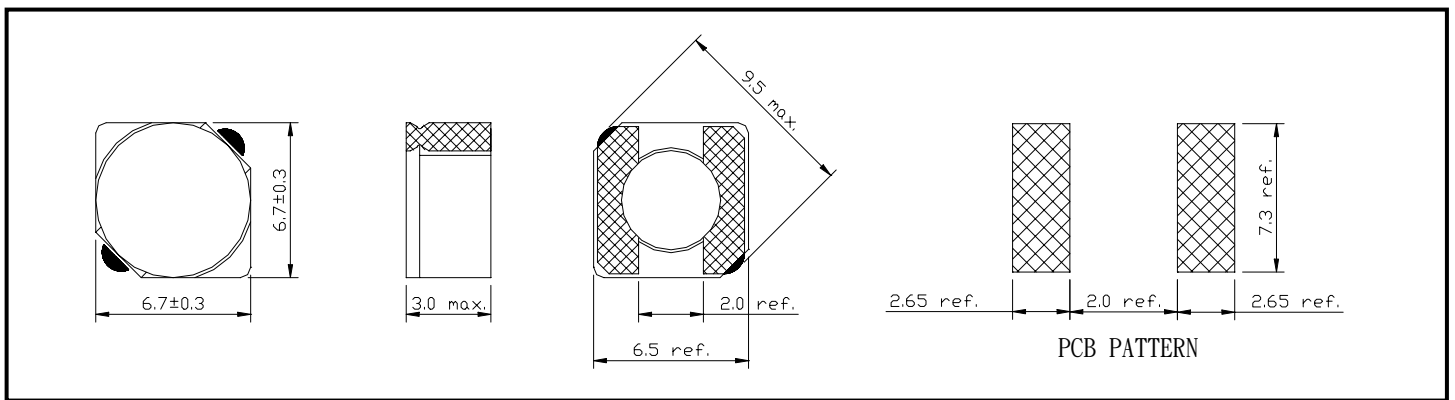
RoHS Compliant

### PART NUMBERING SYSTEM

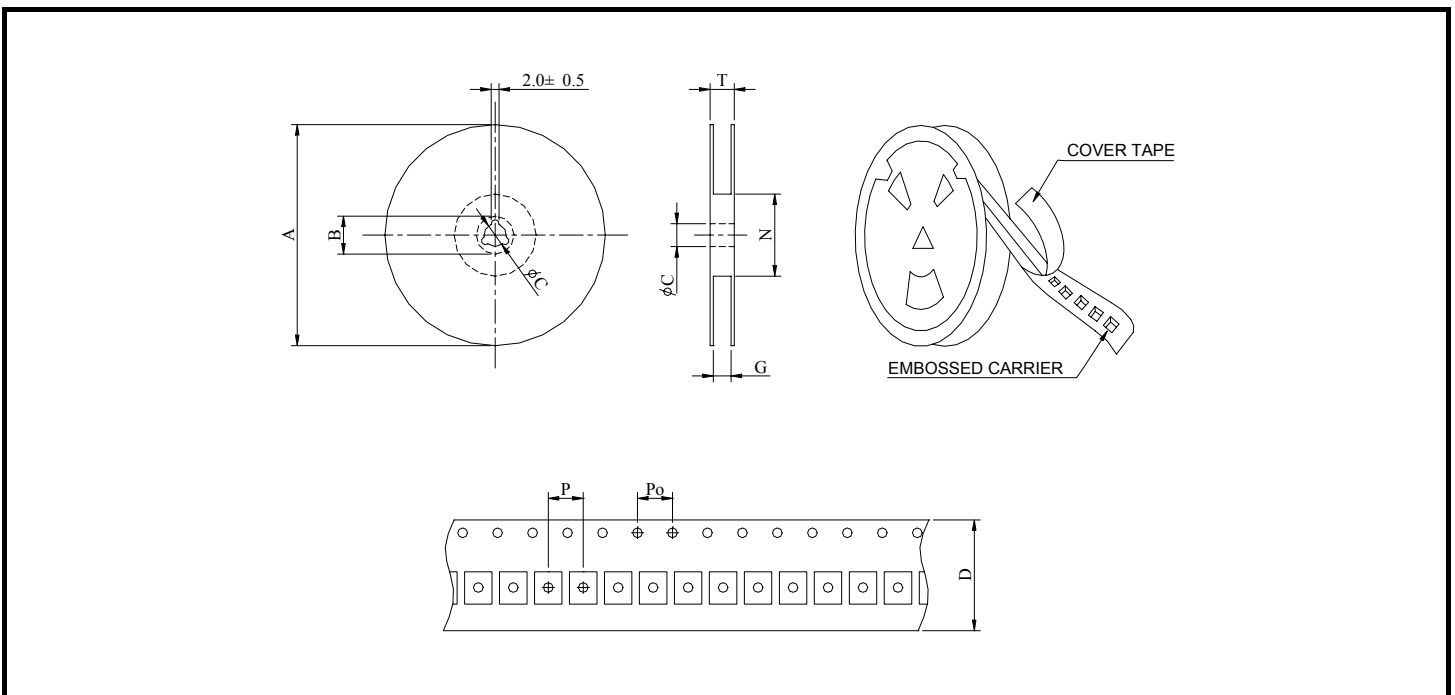
<b>SDC</b>	<b>6 D 2 8</b>	—	<b>3 R 0 N</b>	—	<b>LF</b>
TYPE	DIMENSIONS		INDUCTANCE		LEAD FREE

### SHAPES AND DIMENSIONS

UNIT : mm



### PACKAGING SPECIFICATION



SERIES	STAYLE	Q' TY (PCS)	DIMENSIONS (m/m)								
			A	B $\pm 0.8$	C $\pm 0.5$	D	G $^{+0}$	N $^{-0}$	P	Po	T
SDC6D28	13-16	1000	330	21	13	16	18	50	8	4	22.4



## SDC6D28 SERIES

### SMD Shielded Power Inductors



RoHS Compliant

#### SPECIFICATION TABLE

PART NUMBER	INDUCTANCE ( $\mu$ H)	DCR (m $\Omega$ ) (Max.)	IDC (A)	TEST FREQ. (f)
SDC6D28-3R0N-LF	3.0 $\pm$ 30%	24	3.00	10KHz
SDC6D28-3R9N-LF	3.9 $\pm$ 30%	27	2.60	10KHz
SDC6D28-5R0N-LF	5.0 $\pm$ 30%	31	2.40	10KHz
SDC6D28-6R0N-LF	6.0 $\pm$ 30%	35	2.25	10KHz
SDC6D28-7R3N-LF	7.3 $\pm$ 30%	54	2.10	10KHz
SDC6D28-8R6N-LF	8.6 $\pm$ 30%	58	1.85	10KHz
SDC6D28-100N-LF	10 $\pm$ 30%	65	1.70	10KHz
SDC6D28-120N-LF	12 $\pm$ 30%	70	1.55	10KHz
SDC6D28-150N-LF	15 $\pm$ 30%	84	1.40	10KHz
SDC6D28-180N-LF	18 $\pm$ 30%	95	1.32	10KHz
SDC6D28-220N-LF	22 $\pm$ 30%	128	1.20	10KHz
SDC6D28-270N-LF	27 $\pm$ 30%	142	1.05	10KHz
SDC6D28-330N-LF	33 $\pm$ 30%	165	0.97	10KHz
SDC6D28-390N-LF	39 $\pm$ 30%	210	0.86	10KHz
SDC6D28-470N-LF	47 $\pm$ 30%	238	0.80	10KHz
SDC6D28-560N-LF	56 $\pm$ 30%	277	0.73	10KHz
SDC6D28-680N-LF	68 $\pm$ 30%	304	0.65	10KHz
SDC6D28-820N-LF	82 $\pm$ 30%	390	0.60	10KHz
SDC6D28-101N-LF	100 $\pm$ 30%	535	0.54	10KHz

- Isat : DC current at which the inductance drops 35% (typ) from its value without current.
- Irms: The actual current when temperature of coil becomes  $\Delta$ 40°C . ( Ta=+20°C )
- Operating temperature range -40°C to +85°C , Electrical specifications at 20°C.
- Packing : 13" reel, machine-ready ,embossed plastic tape ( 1,000 parts per full reel).