



SDC6D38 SERIES~ SMD Shielded Power Inductors

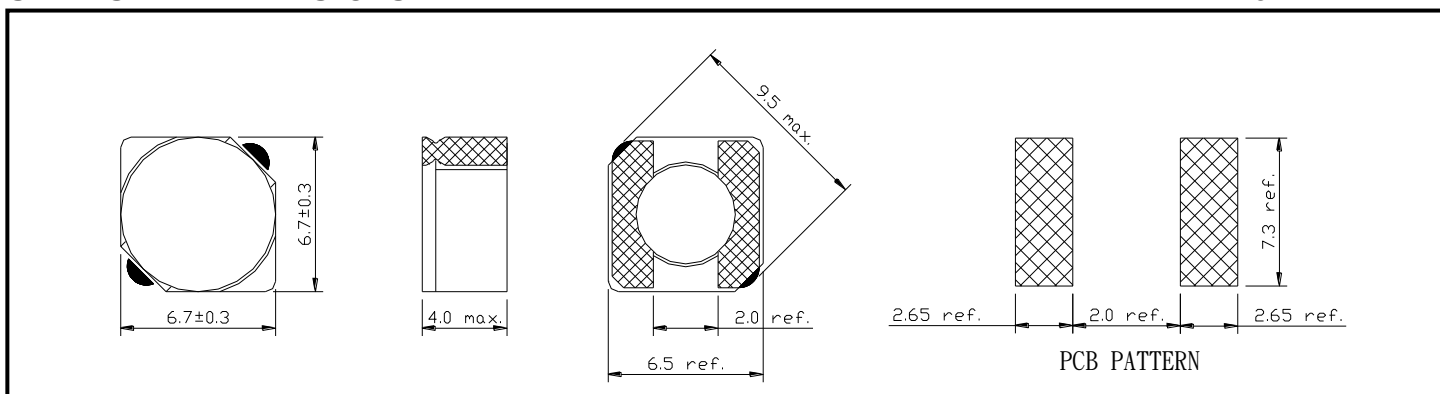


PART NUMBERING SYSTEM

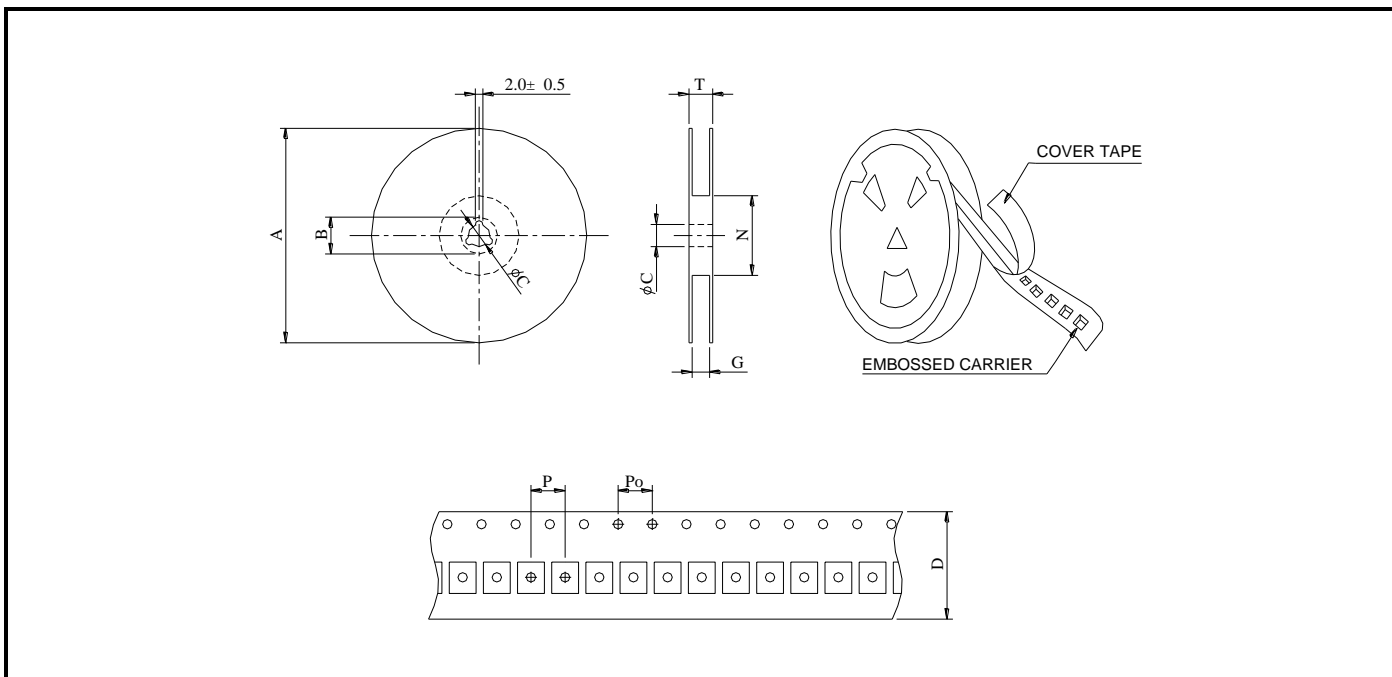
SDC	6D38	—	150N	—	LF
TYPE	DIMENSIONS		INDUCTANCE		LEAD FREE

SHAPES AND DIMENSIONS

UNIT : mm



PACKAGING SPECIFICATION



SERIES	STAYLE	Q'TY (PCS)	DIMENSIONS (m/m)								
			A	B±0.8	C±0.5	D	G ⁺⁰	N ⁻⁰	P	Po	T
SDC6D38	13-16	1000	330	21	13	16	18	50	8	4	22.4

SDC6D38 SERIES~ SMD Shielded Power Inductors



SPECIFICATION TABLE

PART NUMBER	INDUCTANCE (μ H)	DCR (m Ω) (Max.)	IDC (A)	TEST FREQ. (f)
SDC6D38-3R3N-LF	3.3 \pm 30%	20	3.50	10KHz
SDC6D38-5R0N-LF	5.0 \pm 30%	24	2.90	10KHz
SDC6D38-6R2N-LF	6.2 \pm 30%	27	2.50	10KHz
SDC6D38-7R4N-LF	7.4 \pm 30%	31	2.30	10KHz
SDC6D38-8R7N-LF	8.7 \pm 30%	34	2.20	10KHz
SDC6D38-100N-LF	10 \pm 30%	38	2.00	10KHz
SDC6D38-120N-LF	12 \pm 30%	53	1.70	10KHz
SDC6D38-150N-LF	15 \pm 30%	57	1.60	10KHz
SDC6D38-180N-LF	18 \pm 30%	92	1.50	10KHz
SDC6D38-220M-LF	22 \pm 20%	96	1.30	10KHz
SDC6D38-270M-LF	27 \pm 20%	109	1.20	10KHz
SDC6D38-330M-LF	33 \pm 20%	124	1.10	10KHz
SDC6D38-390M-LF	39 \pm 20%	138	1.00	10KHz
SDC6D38-470M-LF	47 \pm 20%	155	0.95	10KHz
SDC6D38-560M-LF	56 \pm 20%	202	0.85	10KHz
SDC6D38-680M-LF	68 \pm 20%	234	0.75	10KHz
SDC6D38-820M-LF	82 \pm 20%	324	0.70	10KHz
SDC6D38-101M-LF	100 \pm 20%	358	0.65	10KHz

- Isat : DC current at which the inductance drops 35% (typ) from its value without current.
- Irms: The actual current when temperature of coil becomes $\Delta 40^{\circ}\text{C}$. ($T_a = +25^{\circ}\text{C}$)
- Operating temperature range -40°C to $+125^{\circ}\text{C}$, Electrical specifications at 25°C .
- Packing : 13" reel, machine-ready ,embossed plastic tape (1,000 parts per full reel).