



SD106S SERIES ~ Semi-Shielded Power Inductors



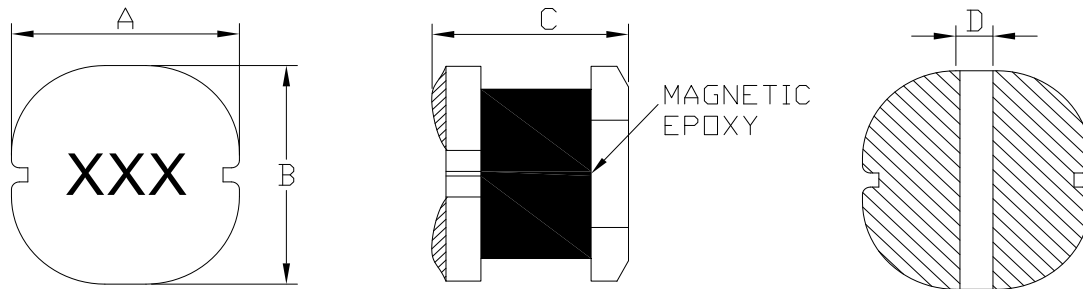
PART NUMBERING SYSTEM

(AEC-Q200)

SDR	106S	—	221M	—	LF
TYPE	DIMENSIONS		INDUCTANCE		LEAD FREE

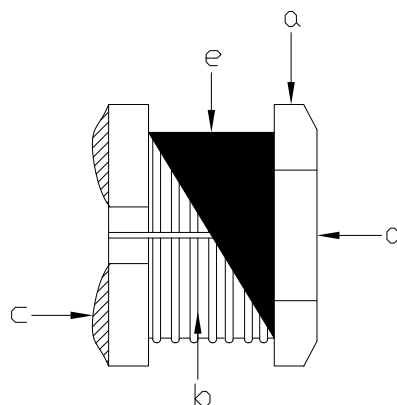
SHAPES AND DIMENSIONS

UNIT : mm



A:10.0±0.3 , B:9.0±0.3 , C:6.0 Max. , D:3.0 ref

MATERIALS



a = Ferrite Cores , b = Copper Wire , c = Solder , d = Inking , e = Magnetics Epoxy

SD106S SERIES ~ Semi-Shielded Power Inductors



FEATURES

- Semi-shielded construction
- Inductance range: 10 to 470 μ H
- High rated current - up to 5.4 A
- RoHS compliant and halogen free
- Applications to DC/DC converters, Notebook computers, Digital video cameras , Televisions and LCD displays

SPECIFICATION TABLE

(AEC-Q200)

PART NUMBER	INDUCTANCE (μ H)	DCR (M Ω) (Max.)	Isat (A) (Max.)	Irms (A) (Max.)	TEST FREQ. (MHz)
SDR106S-100M-LF	10 \pm 20%	0.029	5.20	5.40	7.96MHz
SDR106S-180M-LF	15 \pm 20%	0.043	3.80	3.85	7.96MHz
SDR106S-220M-LF	22 \pm 20%	0.053	3.40	3.40	7.96MHz
SDR106S-330M-LF	33 \pm 20%	0.072	2.80	3.15	2.52MHz
SDR106S-470M-LF	47 \pm 10%	0.110	2.30	2.50	2.52MHz
SDR106S-101M-LF	100 \pm 20%	0.210	1.70	1.70	2.52MHz
SDR106S-151M-LF	150 \pm 20%	0.300	1.35	1.25	2.52MHz
SDR106S-221M-LF	220 \pm 20%	0.420	1.20	1.00	2.52MHz
SDR106S-331M-LF	330 \pm 20%	0.620	0.90	0.90	2.52MHz
SDR106S-471M-LF	470 \pm 20%	0.950	0.80	0.80	0.796MHz

- DC current at which the inductance drops 30% (Max.) from its value without current.
- Operating temperature range -40 $^{\circ}$ C to +125 $^{\circ}$ C.
- Electrical specifications at 25 $^{\circ}$ C.
- Packing : 13" reel, machine-ready ,embossed plastic tape (500 parts per full reel).