



SEP1004EA SERIES ~ High Current Power Inductors



AEC-Q₂₀₀

PART NUMBERING SYSTEM

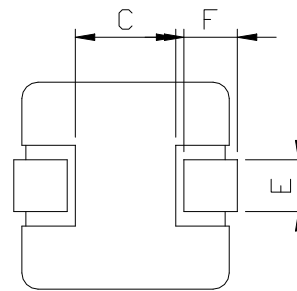
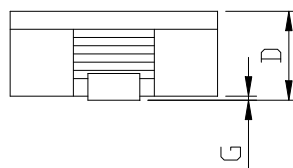
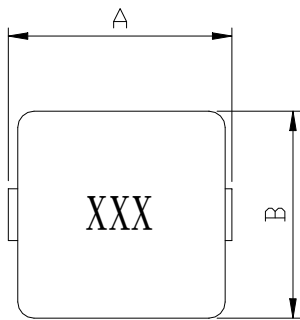
SEP	1004EA	—	1R0M	—	LF	—	A
TYPE	DIMENSIONS		INDUCTANCE		LEAD FREE		AUTOMOTIVE

SHAPES AND DIMENSIONS :



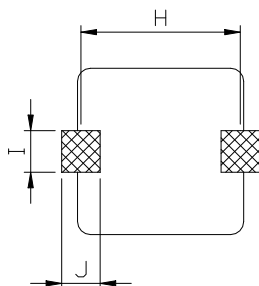
FEATURES :

- * Low profile.
- * Magnetically shielded low DC resistance .
- * Suitable for large current application.
- * Laptop & Notebook computers.
- * Battery powered equipment.
- * DC/DC converters.
- * Digital 、 Cameras 、 Scanners, CD-ROM & DVD.



A=11.5±0.5 B=10.5±0.5 C=6.0 Ref. D=4.0 Max. E=2.5 Ref. F=2.3 Ref. G=0.2 Max. UNIT : mm

RECOMMENDED PATTERNS



H= 9.50 I= 4.00 J= 3.50 UNIT : mm

SEP1004EA SERIES ~ High Current Power Inductors



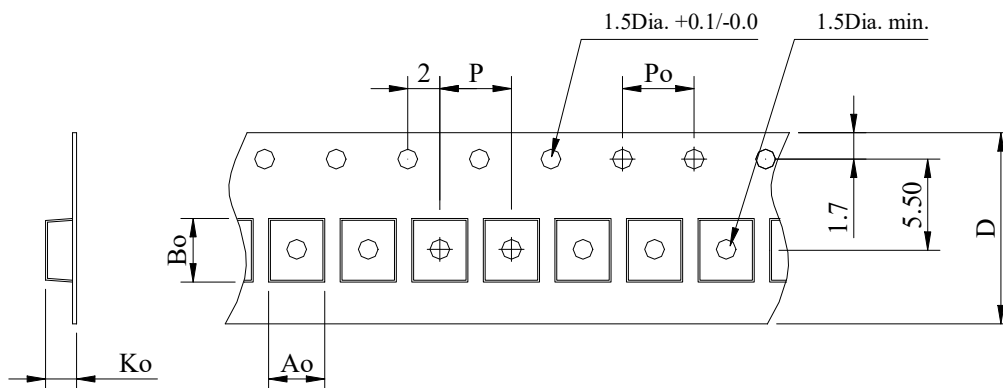
AEC-Q₂₀₀

SPECIFICATION TABLE

PART NUMBER	INDUCTANCE (μH)	Isat (A) (Max.)	Irms (A) (Δt) 40°C (Max.)	DCR (m Ω) (Max.)	DCR (m Ω) (Typ.)	Test Freq. (KHz)
SEP1004EA-R19M-LF-A	0.19 \pm 20%	60	38	0.80	0.70	100KHz/1V
SEP1004EA-R22M-LF-A	0.22 \pm 20%	50	38	0.80	0.60	100KHz/1V
SEP1004EA-R36M-LF-A	0.36 \pm 20%	50	30	1.20	1.10	100KHz/1V
SEP1004EA-R47M-LF-A	0.47 \pm 20%	45	28	1.70	1.50	100KHz/1V
SEP1004EA-R56M-LF-A	0.56 \pm 20%	40	25	1.70	1.60	100KHz/1V
SEP1004EA-R68M-LF-A	0.68 \pm 20%	30	25	1.80	1.60	100KHz/1V
SEP1004EA-1R0M-LF-A	1.00 \pm 20%	30	21	3.20	2.80	100KHz/1V
SEP1004EA-1R2M-LF-A	1.20 \pm 20%	25	17	3.70	3.20	100KHz/1V
SEP1004EA-1R5M-LF-A	1.50 \pm 20%	20	15	5.00	4.50	100KHz/1V
SEP1004EA-2R5M-LF-A	2.50 \pm 20%	18	13	9.50	8.50	100KHz/1V

- Isat : DC current at which the inductance drops 30% (typ) from its value without current.
- Irms : Average current for a 40°C temperature rise above 25°C ambient.
- Operating temperature range -55°C to +125°C ,
- Electrical specifications at 25°C.

PACKAGING SPECIFICATION



STAYLE	Q'TY (PCS)	DIMENSIONS (m/m)					
		Ao	Bo	Ko	P	Po	D \pm 0.3
13"	800	12.2	11.2	4.1	16	4.0	24