



MA3216 SERIES ~ Multilayer Chip Suppressions /

Bead Array

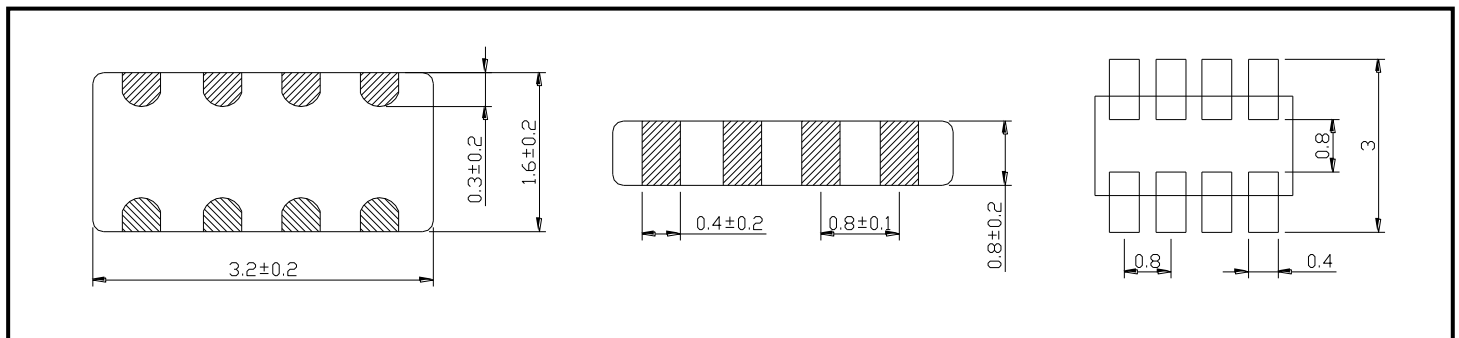


PART NUMBERING SYSTEM

M A	3216	—	300	—	LF
TYPE	DIMENSIONS		IMPEDANCE		LEAD FREE

SHAPES AND DIMENSIONS

UNIT : mm



SPECIFICATION TABLE

PART NUMBER	IMPEDANCE (Ω) at 100MHz	DCR (Ω) (max)	IDC (mA) (max)
MA3216-300-LF	30±25%	0.40	350
MA3216-600-LF	60±25%	0.25	200
MA3216-121-LF	120±25%	0.80	150
MA3216-221-LF	220±25%	0.80	150
MA3216-301-LF	300±25%	0.30	150
MA3216-471-LF	470±25%	0.55	100
MA3216-601-LF	600±25%	0.65	100
MA3216-102-LF	1000±25%	0.80	50

- Test equipment : Agilent/HP-4291A impedance analyzer or equipment .
- Operating temperature range -55°C to +125°C .
- Electrical specifications at 25°C .

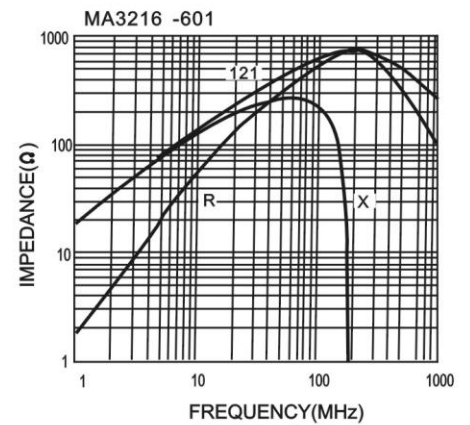
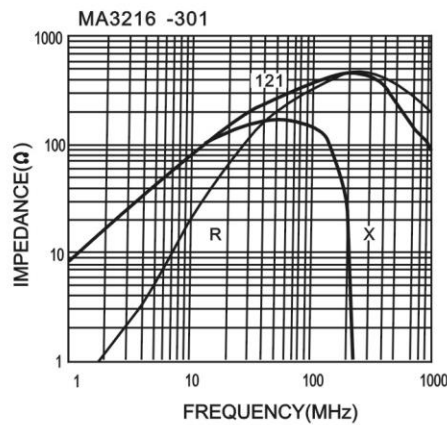
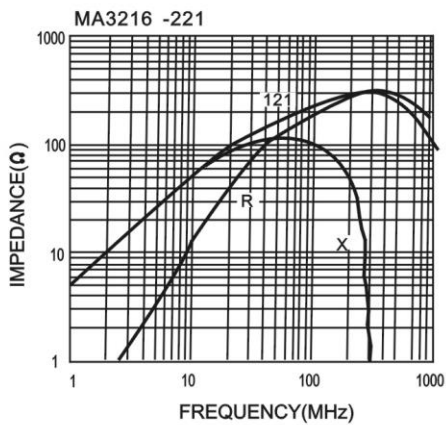
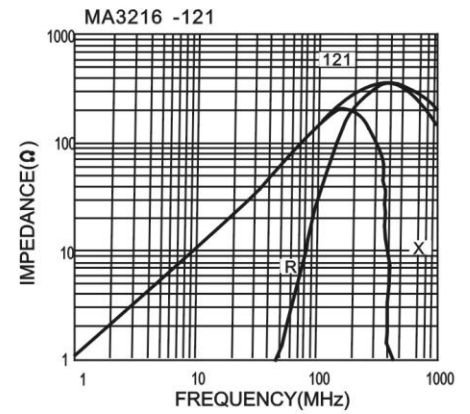
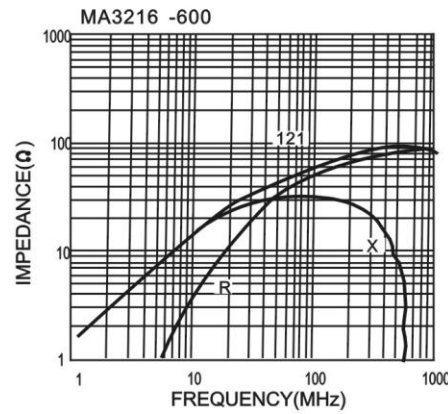
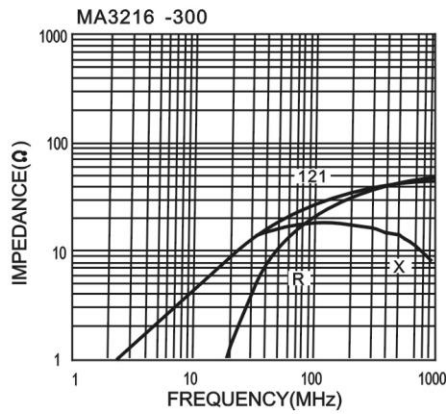


MA3216 SERIES ~ Multilayer Chip Suppressions /

Bead Array



IMPEDANCE VS FREQUENCY CURVE



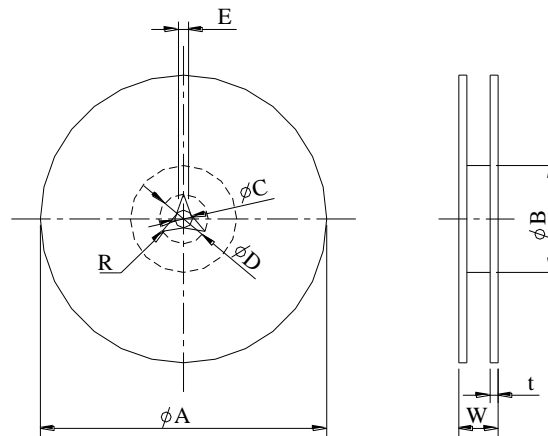


MA3216 SERIES ~ Multilayer Chip Suppressions /

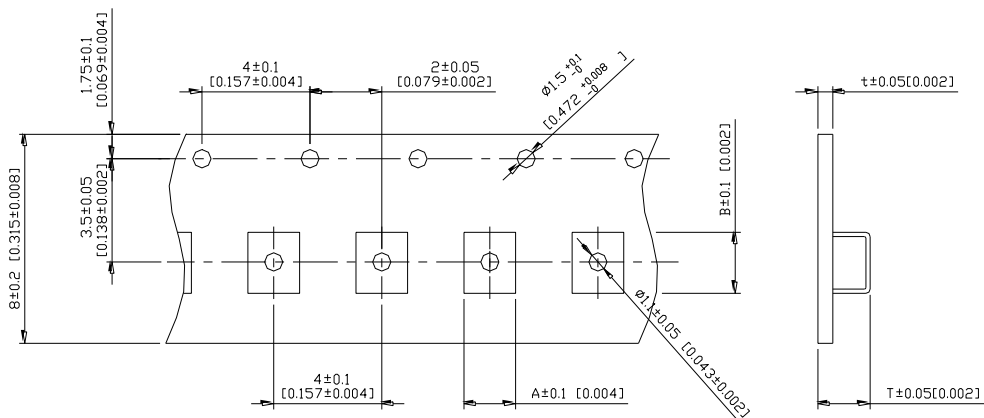
Bead Array



PACKAGING SPECIFICATION



	A	B	C	D	E	W8	W12	t	R
T($\psi 178\text{mm}$) Reel	$\psi 178 \pm 2$	$\psi 60 \pm 1$	$\psi 13 \pm 0.8$	$\psi 21 \pm 0.8$	2	10 ± 1.5	14.5 ± 1.5	1.27 ± 0.2	1



TYPE	A	B	T	t	T($\phi 178\text{mm}$)	T($\phi 330\text{mm}$)
MA3216	1.90	3.50	1.40	0.2	3000 pcs/reel	-