



MB1608 SERIES ~ Multilayer Chip Beads / Ferrite Chip Beads

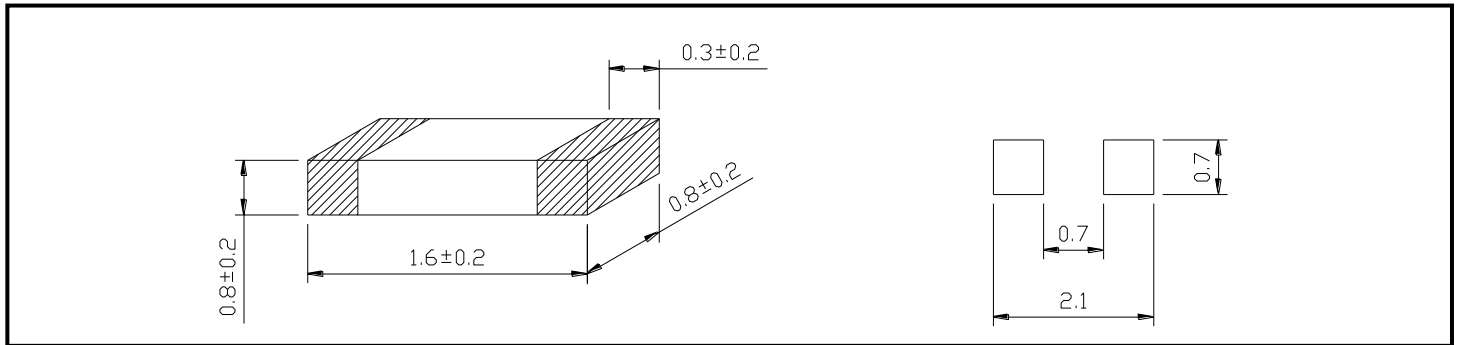


PART NUMBERING SYSTEM

MB	1608	—	121	—	LF
TYPE	DIMENSIONS		IMPEDANCE		LEAD FREE

SHAPES AND DIMENSIONS

UNIT : mm



SPECIFICATION TABLE

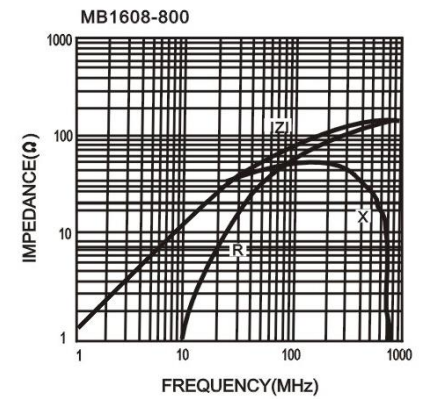
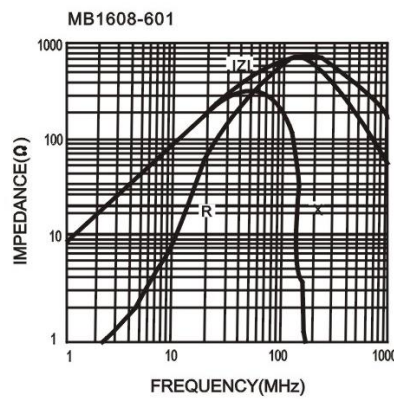
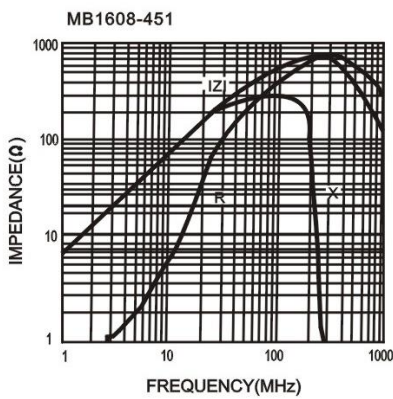
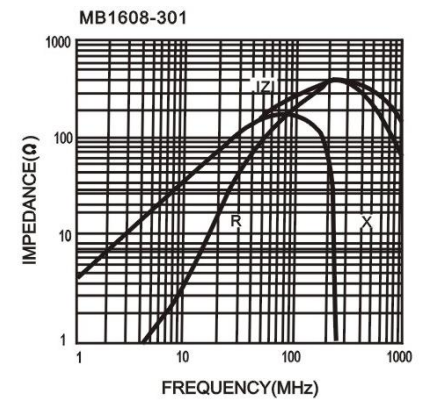
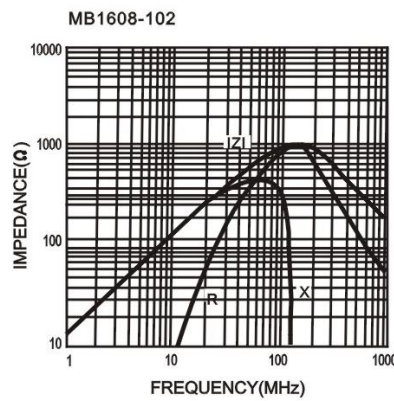
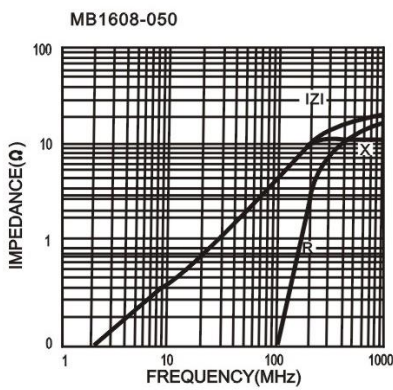
PART NUMBER	IMPEDANCE (Ω) at 100MHz	DCR (Ω) (max)	IDC (mA) (max)
MB1608-190-LF	19±25%	0.10	400
MB1608-310-LF	31±25%	0.10	400
MB1608-520-LF	52±25%	0.15	400
MB1608-600-LF	60±25%	0.15	400
MB1608-800-LF	80±25%	0.15	400
MB1608-101-LF	100±25%	0.15	400
MB1608-121-LF	120±25%	0.15	400
MB1608-151-LF	150±25%	0.15	400
MB1608-181-LF	180±25%	0.20	400
MB1608-201-LF	200±25%	0.20	400
MB1608-221-LF	220±25%	0.20	400
MB1608-301-LF	300±25%	0.30	400
MB1608-401-LF	400±25%	0.30	400
MB1608-451-LF	450±25%	0.30	400
MB1608-601-LF	600±25%	0.35	400
MB1608-751-LF	750±25%	0.35	400
MB1608-102-LF	1000±25%	0.55	300
MB1608-152-LF	1500±25%	0.60	200
MB1608-182-LF	1800±25%	1.00	100
MB1608-202-LF	2000±25%	1.00	50



MB1608 SERIES ~ Multilayer Chip Beads / Ferrite Chip Beads



IMPEDANCE vs FREQUENCY

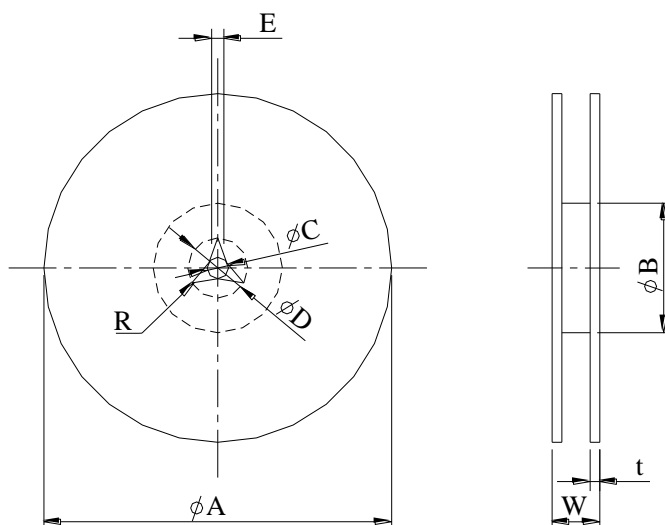




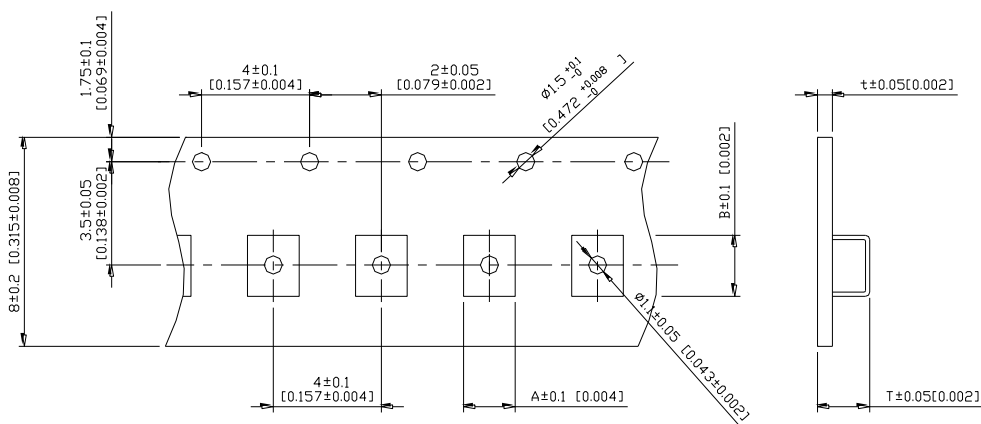
MB1608 SERIES ~ Multilayer Chip Beads / Ferrite Chip Beads



PACKAGING SPECIFICATION



	A	B	C	D	E	W8	W12	t	R
T(ψ178mm) Reel	ψ178±2	ψ60±1	ψ13±0.8	ψ21±0.8	2	10±1.5	14.5±1.5	1.27±0.2	1



TYPE	A	B	T	t	T(ψ178mm)	T(ψ330mm)
MB1608	1.10	1.90	1.10	0.2	4000 pcs/reel	-