

MB3216 SERIES ~ Multilayer Chip Beads / Ferrite Chip Beads

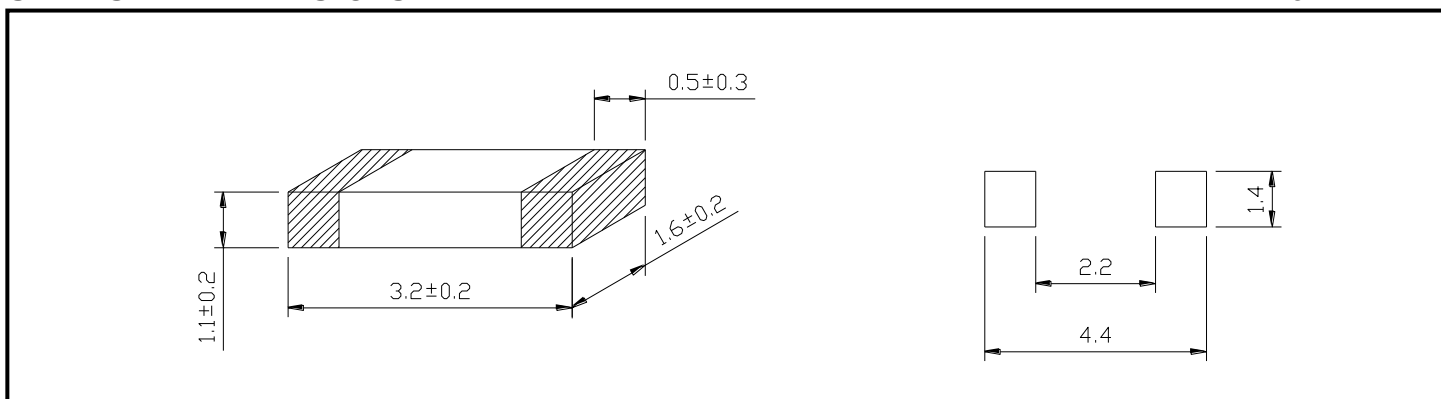


PART NUMBERING SYSTEM

MB	3216	—	221	—	LF
TYPE	DIMENSIONS		IMPEDANCE		LEAD FREE

SHAPES AND DIMENSIONS

UNIT : mm



SPECIFICATION TABLE

PART NUMBER	IMPEDANCE (Ω) at 100MHz	DCR (Ω) (max)	IDC (mA) (max)
MB3216-190-LF	19±25%	0.10	800
MB3216-260-LF	26±25%	0.10	800
MB3216-310-LF	31±25%	0.10	800
MB3216-520-LF	52±25%	0.15	800
MB3216-600-LF	60±25%	0.15	500
MB3216-101-LF	100±25%	0.20	450
MB3216-121-LF	120±25%	0.20	450
MB3216-151-LF	150±25%	0.20	450
MB3216-221-LF	220±25%	0.20	350
MB3216-301-LF	300±25%	0.20	350
MB3216-601-LF	600±25%	0.25	350
MB3216-751-LF	750±25%	0.30	350
MB3216-102-LF	1000±25%	0.35	350
MB3216-152-LF	1500±25%	0.40	350
MB3216-202-LF	2000±25%	0.40	350

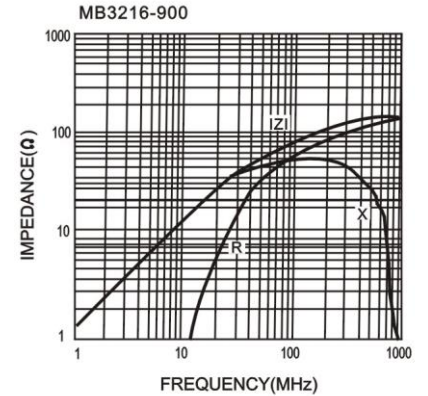
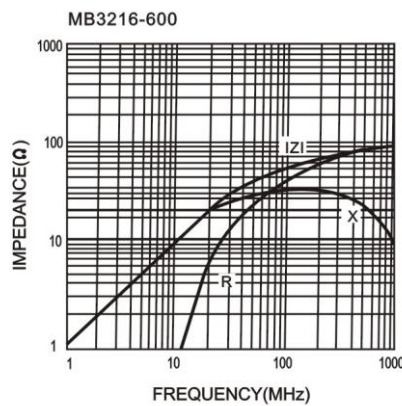
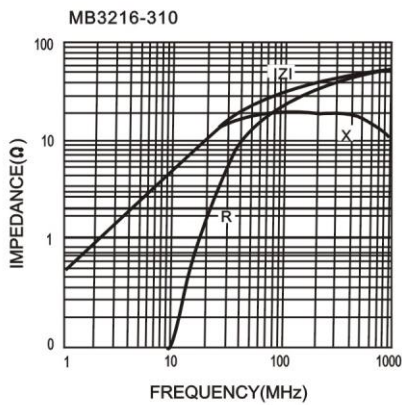
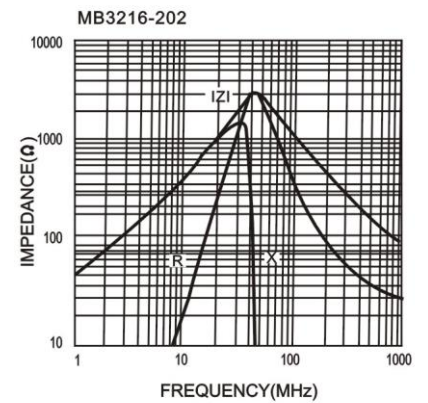
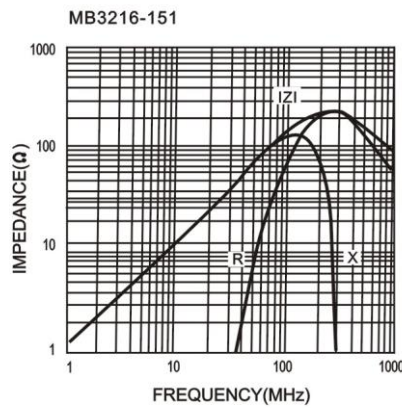
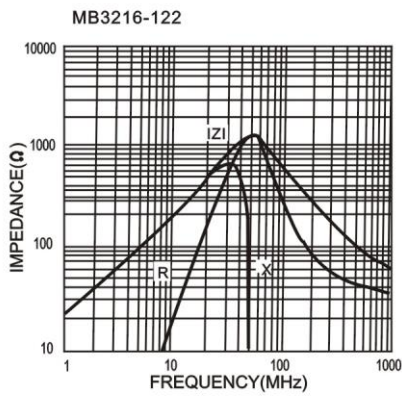
- Test equipment : Agilent/HP-4291A impedance analyzer or equipment .
- Operating temperature range -55°C to +125°C , Electrical specifications at 25°C .



MB3216 SERIES ~ Multilayer Chip Beads / Ferrite Chip Beads



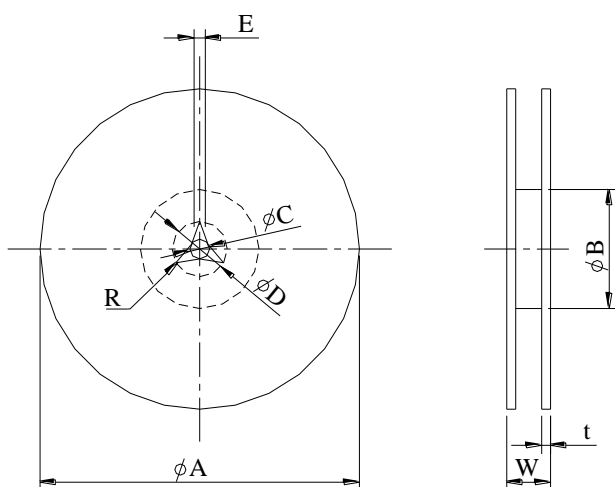
IMPEDANCE VS FREQUENCY CURVE



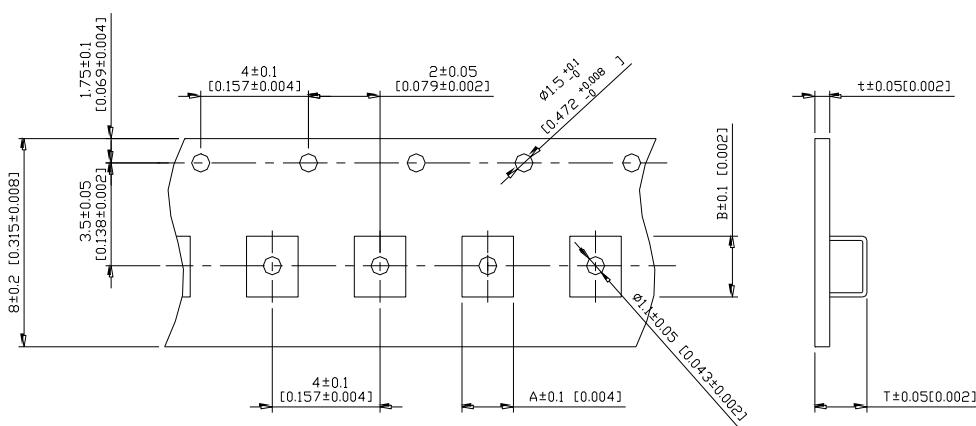
MB3216 SERIES ~ Multilayer Chip Beads / Ferrite Chip Beads



PACKAGING SPECIFICATION



	A	B	C	D	E	W8	W12	t	R
T(ψ178mm) Reel	ψ178±2	ψ60±1	ψ13±0.8	ψ21±0.8	2	10±1.5	14.5±1.5	1.27±0.2	1



TYPE	A	B	T	t	T(φ 178mm)	T(φ 330mm)
MB3216	1.90	3.50	1.40	0.2	3000 pcs/reel	-