

ML1608HC SERIES – Multilayer Chip Inductors

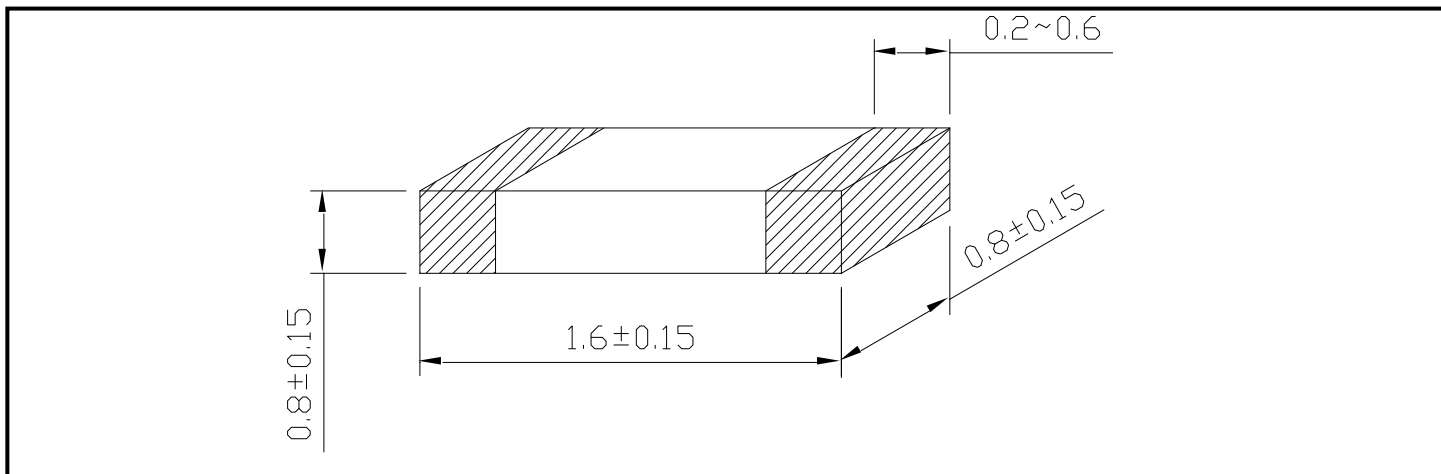


PART NUMBERING SYSTEM

<u>ML</u>	<u>1608HC</u>	—	<u>2R2M</u>	—	<u>LF</u>
TYPE	DIMENSIONS		INDUCTANCE		LEAD FREE

SHAPES AND DIMENSIONS

UNIT : mm



SPECIFICATION TABLE

PART NUMBER	INDUCTANCE (μ H)	DCR (Ω) (max)	L TEST FREQUENCY (MHz)	Isat1(mA) (max)	Isat2(mA) (max)	Irms(mA) (max)
ML1608HC-1R0M-LF	1.0 \pm 20%	0.104	7.96	230	360	900
ML1608HC-2R2M-LF	2.2 \pm 20%	0.221	7.96	160	240	600
ML1608HC-4R7M-LF	4.7 \pm 20%	0.312	7.96	110	170	500
ML1608HC-100M-LF	10 \pm 20%	0.468	2.52	80	120	400
ML1608HC-220M-LF	22 \pm 20%	1.300	2.52	50	70	200
ML1608HC-470M-LF	47 \pm 20%	2.990	2.52	35	50	100

- Test Equipment : HP-4291A Impedance Analyzer Meter or equivalent .
- Isat1: DC current at which the inductance drops 10% (typ) from its value without current.
- Isat2: DC current at which the inductance drops 30% (typ) from its value without current.
- Irms: Current that causes a 20°C temperature rise from 25°C ambient.
- Packing : 7" reel, machine-ready ,embossed plastic tape (4,000 parts per full reel).