



ML2012HC SERIES – Multilayer High Current Chip Inductors



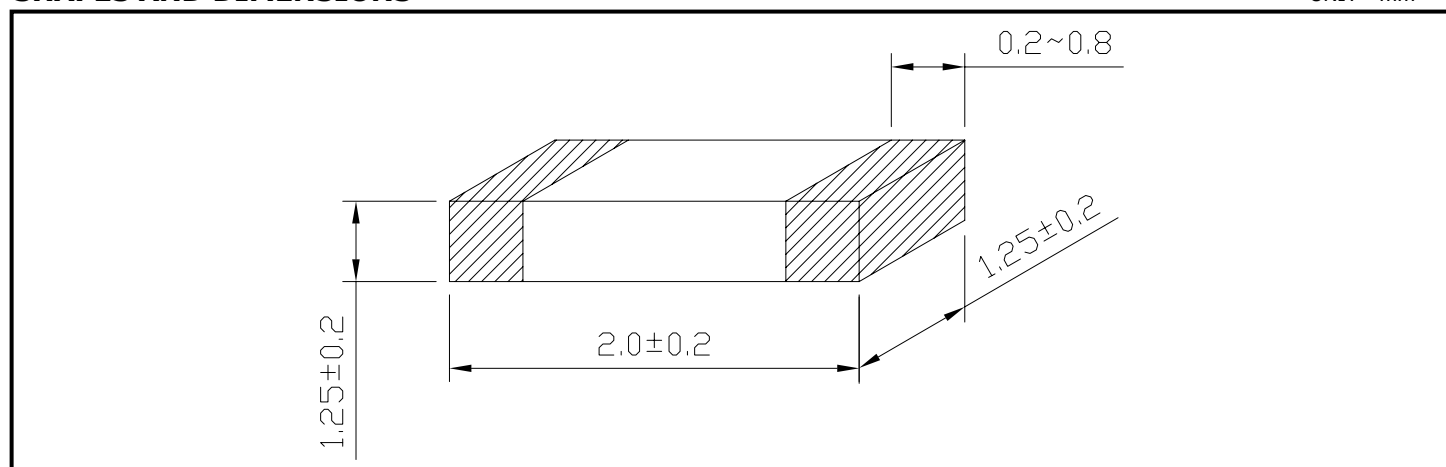
New Products

PART NUMBERING SYSTEM

ML	2012HC	—	1R0M	—	LF
TYPE	DIMENSIONS		INDUCTANCE		LEAD FREE

SHAPES AND DIMENSIONS

UNIT : mm



ML2012HC SERIES – Multilayer High Current Chip Inductors

SPECIFICATION TABLE

PART NUMBER	INDUCTANCE (μ H)	DCR (Ω) (max)	L TEST FREQUENCY (MHz)	Isat1(mA) (max)	Isat2(mA) (max)	Irms(mA) (max)
ML2012HC-1R0M-LF	1.0±20%	0.075	7.96	300	550	1150
ML2012HC-2R2M-LF	2.2±20%	0.114	7.96	240	400	900
ML2012HC-4R7M-LF	4.7±20%	0.260	7.96	140	280	600
ML2012HC-100M-LF	10±20%	0.390	2.52	100	180	500
ML2012HC-220M-LF	22±20%	0.910	2.52	75	110	300
ML2012HC-470M-LF	47±20%	1.794	2.52	50	85	230
ML2012HC-101M-LF	100±20%	3.900	2.52	30	60	160

- Test Equipment : HP-4291A Impedance Analyzer Meter or equivalent .
- Isat1: DC current at which the inductance drops 10% (typ) from its value without current.
- Isat2: DC current at which the inductance drops 30% (typ) from its value without current.
- Irms: Current that causes a 20°C temperature rise from 25°C ambient.
- Packing : 7" reel, machine-ready ,embossed plastic tape (2,000 parts per full reel).