



ML201610HP SERIES – Multilayer Power Chip Inductors

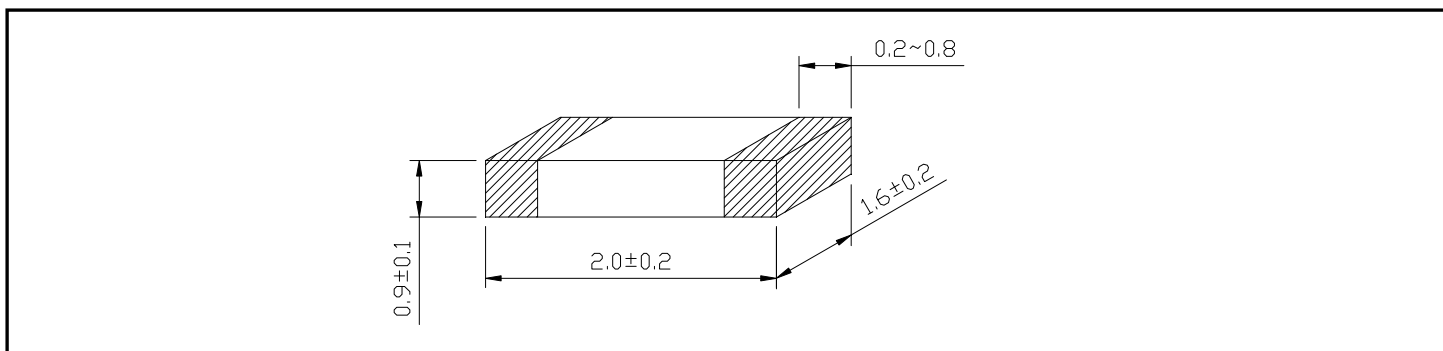


PART NUMBERING SYSTEM

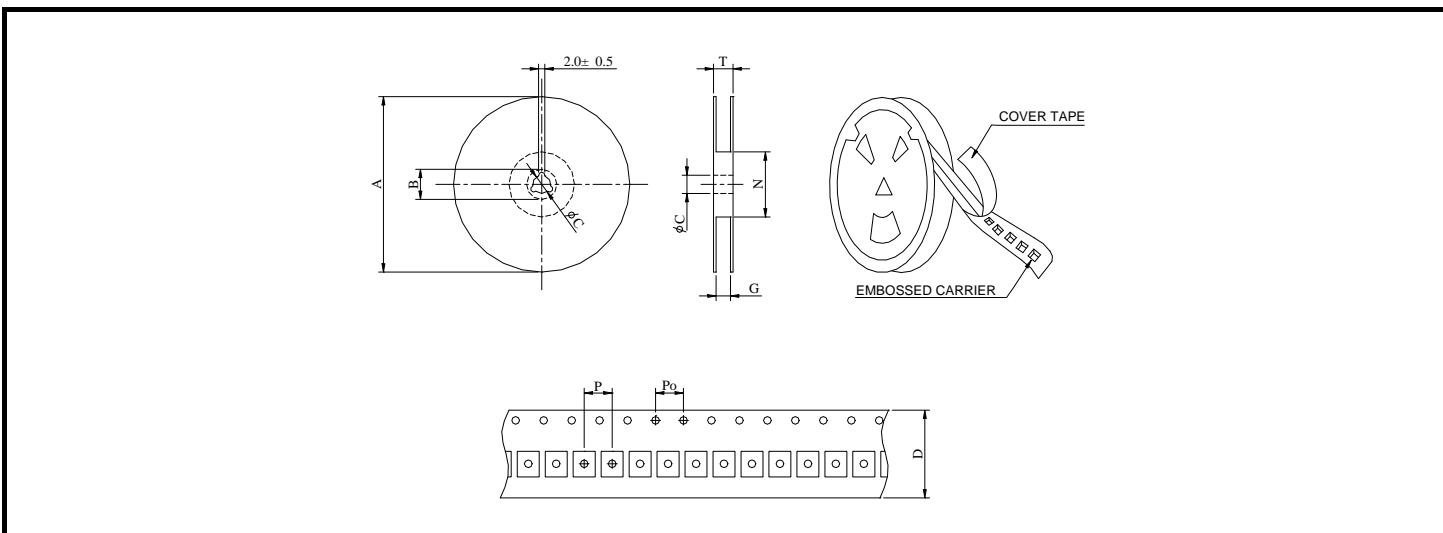
<u>ML</u>	<u>201610HP</u>	—	<u>R24M</u>	—	<u>LF</u>
TYPE	DIMENSIONS		INDUCTANCE		LEAD FREE

SHAPES AND DIMENSIONS

UNIT : mm



PACKAGING SPECIFICATION



SERIES	STAYLE	Q'TY (PCS)	DIMENSIONS (m/m)								
			A	B±0.8	C±0.5	D	G ⁺	N ⁰	P	Po	T
ML201610HP	178	3,000	178	21	13	8	18	50	4	4	22.4



Coilmaster Electronics Co., Ltd.

3F No.211, Huan Bei Rd. Chung Li District , Taoyuan City, Taiwan

Tel : +886-3-422-8279

Fax : +886-3-452-5688

E-mail : info@coilmaster.com.tw

Web Site : www.coilmaster.com.tw

ML201610HP Series – Multilayer Power Chip Inductors



SPECIFICATION TABLE

PART NUMBER	INDUCTANCE (μ H)	DCR (Ω) (Typ.)	DCR (Ω) (Max.)	Isat (A) Max.	Irms (A) Max.
ML201610HP-R24M-LF	0.24 \pm 20%	17	21	5.05	4.50
ML201610HP-R33M-LF	0.33 \pm 20%	24	29	4.50	3.69
ML201610HP-R47M-LF	0.47 \pm 20%	33	40	4.00	3.15
ML201610HP-R68M-LF	0.68 \pm 20%	41	49	3.33	3.06
ML201610HP-1R0M-LF	1.0 \pm 20%	60	69	2.61	2.26
ML201610HP-1R5M-LF	1.5 \pm 20%	114	129	2.25	1.81
ML201610HP-2R2M-LF	2.2 \pm 20%	135	150	1.71	1.50

- Multilayer Ferrite Power Chip Inductors .
- Test Frequency at 1MHz /250mV
- Test Equipment : HP-E4991A Impedance Analyzer Meter or equivalent .
- Operating Temperature Range: -55 to +125°C
- Class of Magnetic Shield: Magnetic shield of ferrite
- Packing : 7" reel, machine-ready ,embossed plastic tape (3,000 parts per full reel).