



MM1608D SERIES ~ Wire Wound Chip Common Mode Choke



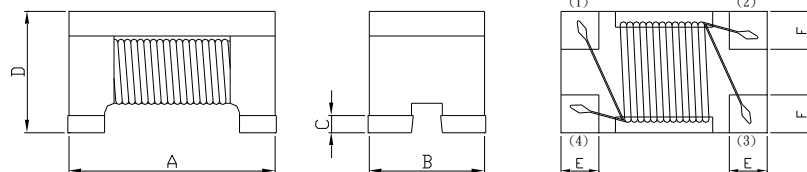
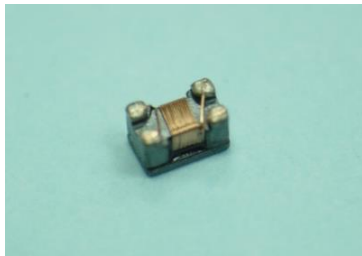
FEATURES

1. Small size and low profile.
2. High common mode impedance items can be used considering noise level & signal frequency.
3. Suitable for differential signal line like USB3.0
4. Lead is not contained in the products.
5. Cut-off frequency is up to 7.5GHz
6. Characteristics impedance is matched for $100\ \Omega$, which is set for many differential interfaces, and can suppress unnecessary reflection components

PART NUMBERING SYSTEM

MM	1 6 0 8 D	—	6 0 0	—	L F
TYPE	DIMENSIONS		IMPEDANCE		LEAD FREE

SHAPES AND DIMENSIONS



UNIT : mm

A=1.60±0.1 B=0.8±0.1 C=0.1±0.1 D=1.1±0.1 E = 0.25 Typ. F=0.33 Typ.

SPECIFICATION TABLE

PART NUMBER	IMPEDANCE (at 100MHz/20 degree C) (Ω)	RATED CURRENT (mA)	DCR (Ω) (Max)	RATED VOLTAGE (Vdc)	INSULATION RESISTANCE (M Ω)	Cut-off Frequency (GHz)
MM1608D-600-LF	60±25%	300	0.30	50	10 min.	7.5 Typ
MM1608D-670-LF	67±25%	300	0.30	50	10 min.	7.5 Typ
MM1608D-900-LF	90±25%	300	0.36	50	10 min.	7.5 Typ

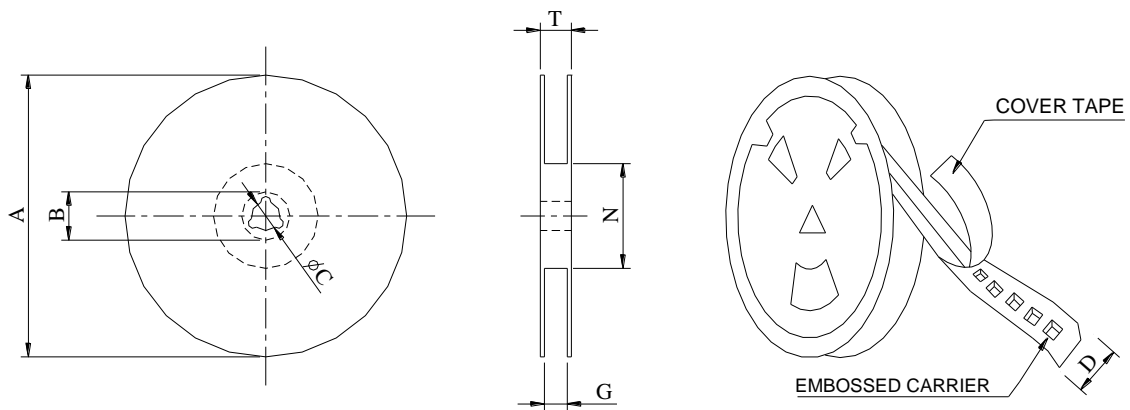
Operating Temperature Range : -25°C to 85°C



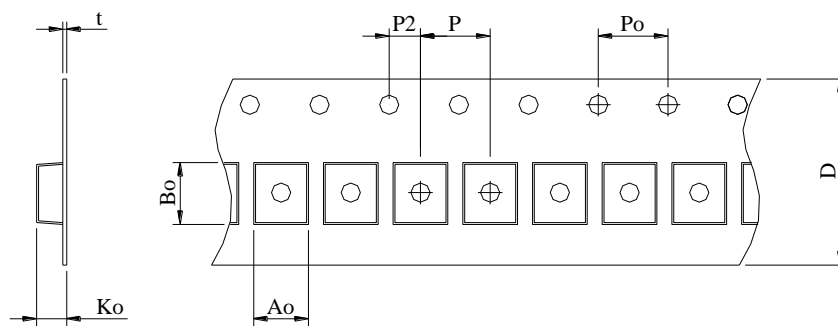
MM1608D SERIES ~ Wire Wound Chip Common Mode Choke



PACKAGING SPECIFICATION



*CARRIER TAPE WIDTH : D



SERIES	STAYLE	Q'TY (PCS)	DIMENSIONS (m/m)								
			A	Ao	Bo	Ko	t	N	P	Po	T
MM1608D	178	2000	178	1.05	1.85	1.15	0.23	60	4	4	12

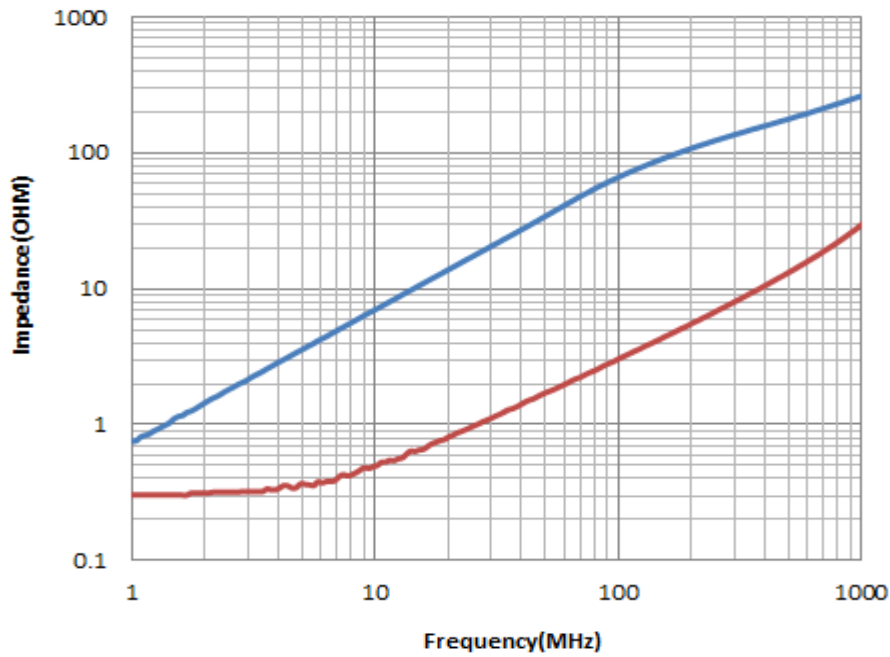


MM1608D SERIES ~ Wire Wound Chip Common Mode Choke



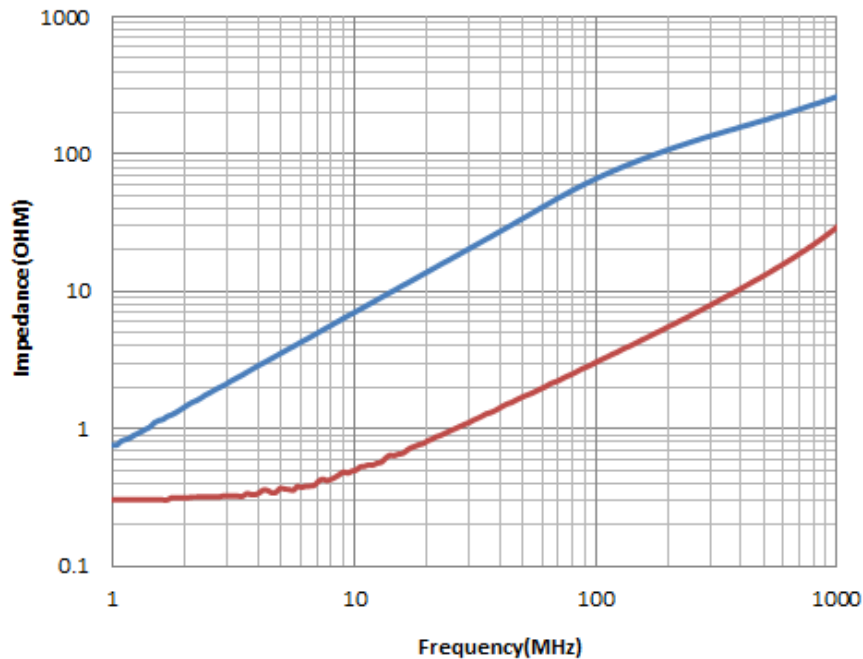
Curve for

MM1608D-600-LF



Curve for

MM1608D-670-LF





MM1608D SERIES ~ Wire Wound Chip Common Mode Choke



Curve for

MM1608D-900-LF

