



SMM 1410B SERIES ~

SMT Common Mode Chokes



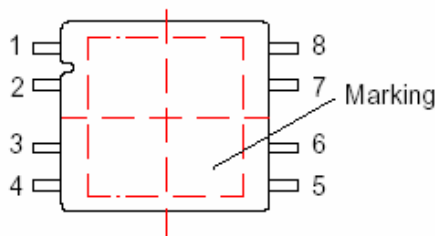
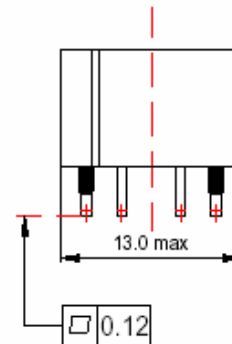
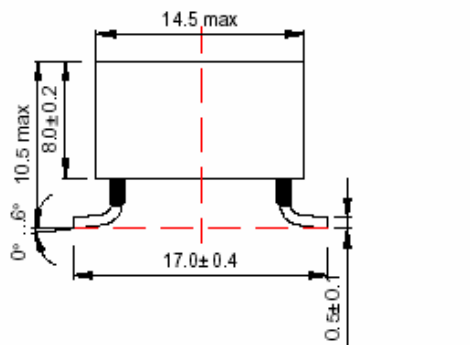
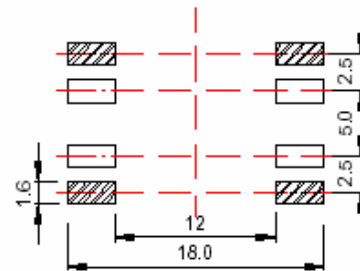
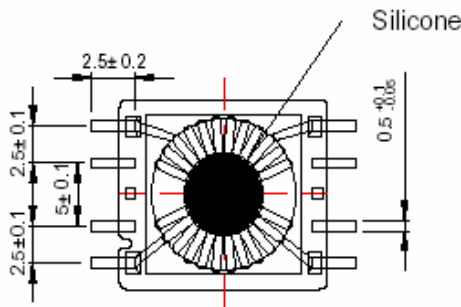
RoHS Compliant

PART NUMBERING SYSTEM

SMM	1410B	—	1 1 2	—	LF
TYPE	DIMENSIONS		IMPEDANCE		LEAD FREE

SHAPES AND DIMENSIONS

UNIT : mm





SMM 1410B SERIES ~

SMT Common Mode Chokes



RoHS Compliant

FEATURES

- **Height 9.70mm typ. (10.5 mm Max.)**
- Footprint : 17mm x 13mm Max.
- Current Rating up to 2.0A
- Approx. 0.8% stray inductance for differential-mode interference suppression .
- **RoHS-compliant.** 260°C compatible. Tin-silver over copper terminations

SPECIFICATION TABLE

PART NUMBER	INDUCTANCE 1-8(mH)	INDUCTANCE 4-5(mH)	LL 1-8(uH) Max. 4-5(short)	DCR 1-8,4-5 (mΩ) (Max.)	Hi-pot Vrms @50Hz , 2sec.
SMM1410B-112-LF	1.1+50%-30%	1.1+50%-30%	8.0	75.0	1500

- Inductance is measured with a LCR meter 4284A or equivalent.
- Test Frequency @ 10KHz , 0.1Vrms
- Operating temperature range -40°C to +85°C.
- Electrical specifications at 25°C .
- Packing : 13" reel, machine-ready ,embossed plastic tape (200 parts per full reel).
- Operating Temperature Range : -40°C ~ +130°C.
- Storage Temperature Range : -40°C ~ +130°C.