



SQH3015S SERIES ~ Low Profile SMD Power Inductors



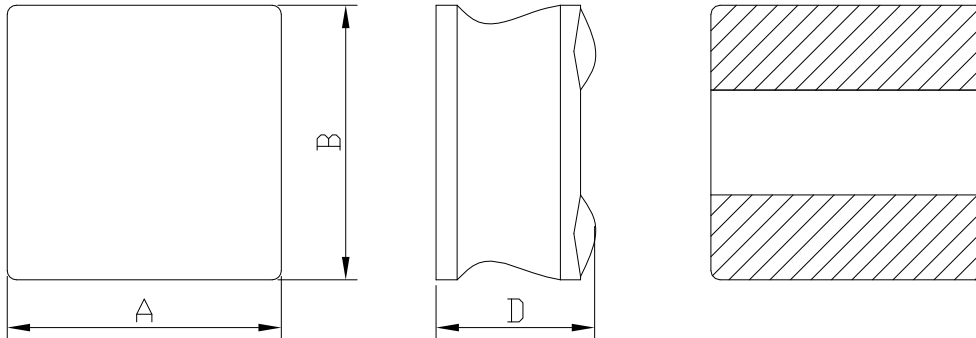
PART NUMBERING SYSTEM

(AEC-Q200)

SQH	3015S	—	330M	—	LF
TYPE	DIMENSIONS		INDUCTANCE		LEAD FREE

SHAPES AND DIMENSIONS

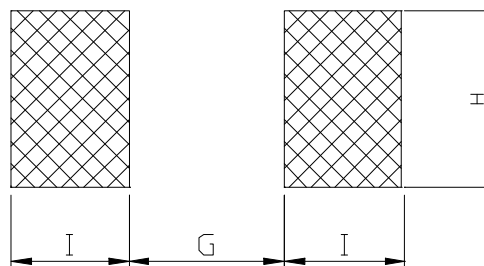
UNIT : mm



A=3.1 Max. B=3.1 Max. C=1.9±0.2 D=1.5 Max. E=0.9±0.2

RECOMMENDED PATTERNS

UNIT : mm



G= 1.40 H= 2.70 I = 0.80

FEATURES

- * Low profile and small inductors (3.1mm Max. square and 1.5mm Max. height)
- * Magnetically shielded construction and high current
- * Ideal for DC-DC converter choke coil for portable equipments (DVDs , DSC , Cellular , PDAs)
- * RoHS compliant option with lead free

SQH3015S SERIES ~ Low Profile SMD Power Inductors



SPECIFICATION TABLE

(AEC-Q200)

PART NUMBER	INDUCTANCE (μ H)	DCR (Ω) (Max.)	Isat(A) (Max.)	Irms(A) (Max.)	TEST FREQ. (f)
SQH3015S-1R0N-LF	1.0 \pm 30%	0.036	2.10	2.10	100KHz/1V
SQH3015S-1R5N-LF	1.5 \pm 30%	0.048	1.80	1.82	100KHz/1V
SQH3015S-2R2M-LF	2.2 \pm 20%	0.072	1.48	1.50	100KHz/1V
SQH3015S-3R3M-LF	3.3 \pm 20%	0.096	1.21	1.23	100KHz/1V
SQH3015S-4R7M-LF	4.7 \pm 20%	0.144	1.02	1.04	100KHz/1V
SQH3015S-6R8M-LF	6.8 \pm 20%	0.192	0.87	0.88	100KHz/1V
SQH3015S-100M-LF	10.0 \pm 20%	0.276	0.70	0.71	100KHz/1V
SQH3015S-150M-LF	15.0 \pm 20%	0.432	0.56	0.56	100KHz/1V
SQH3015S-220M-LF	22.0 \pm 20%	0.624	0.47	0.47	100KHz/1V
SQH3015S-330M-LF	33.0 \pm 20%	1.008	0.39	0.37	100KHz/1V
SQH3015S-470M-LF	47.0 \pm 20%	1.608	0.32	0.30	100KHz/1V

- Isat : DC current at which the inductance drops 30%(typ) from its value without current.
- Irms : The temperature rise current value is the DC current value having temperature increase up 40°C temperature rise from 25°C ambient.
- Operating temperature range -40°C to +105°C , Electrical specifications at 25°C .