



## SQH4010S SERIES ~ Low Profile SMD Power Inductors



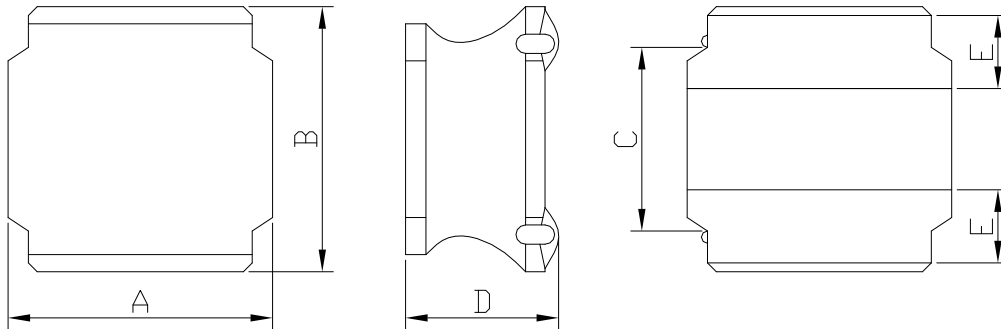
### PART NUMBERING SYSTEM

(AEC-Q200)

<b>SQH</b>	<b>4010S</b>	—	<b>100M</b>	—	<b>LF</b>
TYPE	DIMENSIONS		INDUCTANCE		LEAD FREE

### SHAPES AND DIMENSIONS

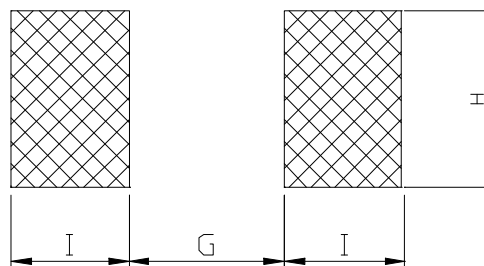
UNIT : mm



A=4.2 Max. B=4.2 Max. C=2.5 Ref. D=1.0 Max. E=1.1±0.2

### RECOMMENDED PATTERNS

UNIT : mm



G= 1.40 H= 3.60 I = 1.20

### FEATURES

- \* Low profile and small inductors ( 4.2mm Max. square and 1.0mm Max. height )
- \* Magnetically shielded construction and high current
- \* Ideal for DC-DC converter choke coil for portable equipments ( DVDs , DSC , Cellular , PDAs )
- \* RoHS compliant option with lead free

## SQH4010S SERIES ~ Low Profile SMD Power Inductors



### SPECIFICATION TABLE

(AEC-Q200)

PART NUMBER	INDUCTANCE ( $\mu$ H)	DCR ( $\Omega$ ) (Max.)	Isat (A) (Max.)	Irms (A) (Max.)	TEST FREQ. ( f )
SQH4010S-1R0N-LF	1.0 $\pm$ 30%	0.120	1.80	1.05	100KHz
SQH4010S-2R2M-LF	2.2 $\pm$ 20%	0.180	1.15	0.89	100KHz
SQH4010S-3R3M-LF	3.3 $\pm$ 20%	0.216	1.10	0.82	100KHz
SQH4010S-4R7M-LF	4.7 $\pm$ 20%	0.252	0.90	0.75	100KHz
SQH4010S-6R8M-LF	6.8 $\pm$ 20%	0.360	0.74	0.62	100KHz
SQH4010S-100M-LF	10 $\pm$ 20%	0.456	0.56	0.60	100KHz
SQH4010S-150M-LF	15 $\pm$ 20%	0.612	0.47	0.51	100KHz
SQH4010S-220M-LF	22 $\pm$ 20%	1.044	0.36	0.40	100KHz
SQH4010S-330M-LF	33 $\pm$ 20%	1.848	0.28	0.30	100KHz
SQH4010S-470M-LF	47 $\pm$ 20%	2.172	0.24	0.28	100KHz

- Isat : DC current at which the inductance drops 30%(typ) from its value without current.
- Irms : The temperature rise current value is the DC current value having temperature increase up 40°C temperature rise from 25°C ambient.
- Operating temperature range -40°C to +105°C , Electrical specifications at 25°C .