



## SQH5020S SERIES ~ Low Profile SMD Power Inductors



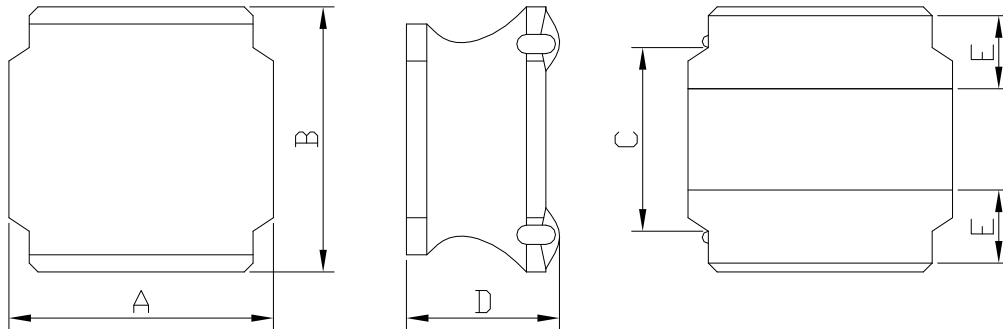
### PART NUMBERING SYSTEM

(AEC-Q200)

<b>SQH</b>	<b>5020S</b>	—	<b>100M</b>	—	<b>LF</b>
TYPE	DIMENSIONS		INDUCTANCE		LEAD FREE

### SHAPES AND DIMENSIONS

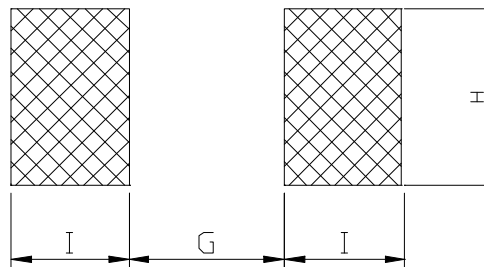
UNIT : mm



A=5.2 Max. B=5.2 Max. C=3.25 Ref. D=2.0 Max. E=1.2±0.2

### RECOMMENDED PATTERNS

UNIT : mm



G= 2.10 H= 4.00 I = 1.50

### FEATURES

- \* Low profile and small inductors ( 5.2mm Max. square and 2.0mm Max. height )
- \* Magnetically shielded construction and high current
- \* Ideal for DC-DC converter choke coil for portable equipments ( DVDs , DSC , Cellular , PDAs )
- \* RoHS compliant option with lead free

## SQH5020S SERIES ~ Low Profile SMD Power Inductors



### SPECIFICATION TABLE

(AEC-Q200)

PART NUMBER	INDUCTANCE ( $\mu$ H)	DCR (m $\Omega$ ) (Max.)	Isat (A) (Max.)	Irms (A) (Max.)	TEST FREQ. ( f )
SQH5020S-1R0N-LF	1.0 $\pm$ 30%	25	4.00	3.60	100KHz
SQH5020S-1R5N-LF	1.5 $\pm$ 30%	31	3.35	3.20	100KHz
SQH5020S-2R2N-LF	2.2 $\pm$ 30%	42	2.90	2.90	100KHz
SQH5020S-3R3N-LF	3.3 $\pm$ 30%	58	2.40	2.40	100KHz
SQH5020S-4R7M-LF	4.7 $\pm$ 20%	72	2.00	2.00	100KHz
SQH5020S-6R8M-LF	6.8 $\pm$ 20%	108	1.60	1.65	100KHz
SQH5020S-100M-LF	10 $\pm$ 20%	144	1.30	1.45	100KHz
SQH5020S-150M-LF	15 $\pm$ 20%	198	1.10	1.20	100KHz
SQH5020S-220M-LF	22 $\pm$ 20%	312	0.90	1.00	100KHz

- Isat : DC current at which the inductance drops 30%(typ) from its value without current.
- Irms : The temperature rise current value is the DC current value having temperature increase up 40°C temperature rise from 25°C ambient.
- Operating temperature range -40°C to +105°C , Electrical specifications at 25°C .