

## SPS0603 SERIES ~ Power Chip Inductors

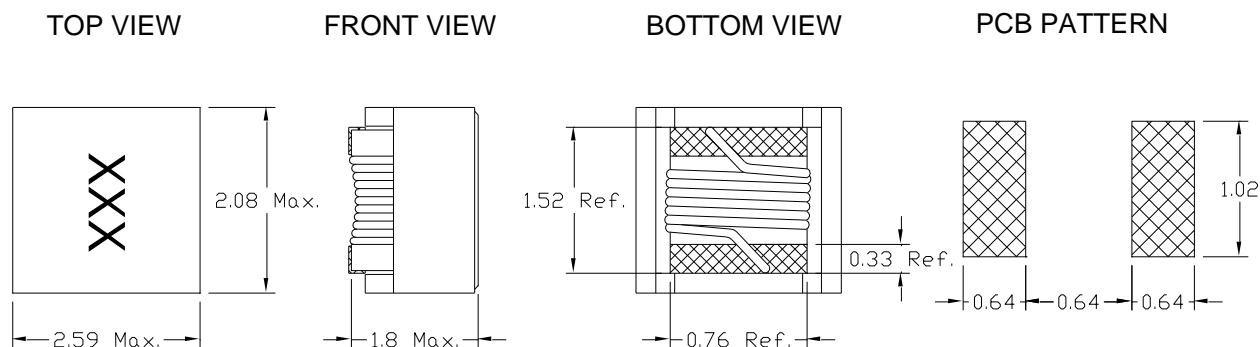


### PART NUMBERING SYSTEM

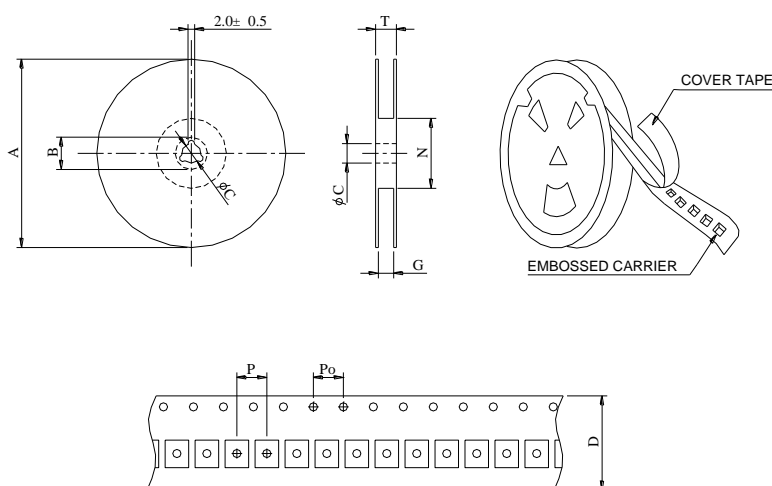
<b>SPS</b>	<b>0603</b>	—	<b>1R0M</b>	—	<b>LF</b>
TYPE	DIMENSIONS		INDUCTANCE		LEAD FREE

### SHAPES AND DIMENSIONS

UNIT : mm



### PACKAGING SPECIFICATION



SERIES	STAYLE	Q'TY (PCS)	DIMENSIONS (m/m)								
			A	B $\pm 0.8$	C $\pm 0.5$	D	G <sup>+0</sup>	N <sup>0</sup>	P	Po	T
SPS0603	13-24	7,500	330	21	13	8	8.4	50	4	4	14.4

## SPS0603 SERIES ~ Power Chip Inductors



### SPECIFICATION TABLE

PART NUMBER	INDUCTANCE ( $\mu$ H)	Testing Frequency	Q. Min.	DCR ( $\Omega$ ) (Max.)	SRF (MHz) Typ.	Isat (A)	Irms (A)
SPS0603-R78M-LF	0.78 $\pm$ 20%	100KHz	15@1MHz	0.24	475	0.55	1.30
SPS0603-1R0M-LF	1.0 $\pm$ 20%	100KHz	15@1MHz	0.26	390	0.40	1.00
SPS0603-1R8M-LF	1.8 $\pm$ 20%	100KHz	15@1MHz	0.56	155	0.39	0.70
SPS0603-2R2M-LF	2.2 $\pm$ 20%	100KHz	15@1MHz	0.75	245	0.33	0.60
SPS0603-2R7M-LF	2.7 $\pm$ 20%	100KHz	15@1MHz	0.75	127	0.33	0.55
SPS0603-3R3M-LF	3.3 $\pm$ 20%	100KHz	15@1MHz	0.88	72	0.32	0.50
SPS0603-3R9M-LF	3.9 $\pm$ 20%	100KHz	15@1MHz	1.00	72	0.27	0.48
SPS0603-4R7M-LF	4.7 $\pm$ 20%	100KHz	15@1MHz	1.08	64	0.26	0.47
SPS0603-5R6M-LF	5.6 $\pm$ 20%	100KHz	15@1MHz	1.18	51	0.23	0.41
SPS0603-6R8M-LF	6.8 $\pm$ 20%	100KHz	15@1MHz	1.23	39	0.23	0.40
SPS0603-8R2M-LF	8.2 $\pm$ 20%	100KHz	20@1MHz	1.43	30	0.22	0.39
SPS0603-100M-LF	10 $\pm$ 20%	100KHz	20@1MHz	1.60	20	0.21	0.38
SPS0603-150M-LF	15 $\pm$ 20%	100KHz	20@1MHz	1.92	12	0.16	0.35
SPS0603-220M-LF	22 $\pm$ 20%	100KHz	20@1MHz	2.96	16	0.13	0.27
SPS0603-330M-LF	33 $\pm$ 20%	100KHz	20@1MHz	5.63	12	0.10	0.20
SPS0603-470M-LF	47 $\pm$ 20%	100KHz	20@1MHz	5.69	12	0.10	0.18

- Isat: DC current at which the inductance drops 10% (typ) from its value without current.
- Irms: Average current for 40°C temperature rise from 25°C ambient .
- Operating temperature range -40°C to +105°C, Electrical specifications at 25°C.
- Packing : 7" reel, machine-ready ,embossed plastic tape ( 2,000 parts per full reel)  
 13" reel, machine-ready ,embossed plastic tape ( 7,500 parts per full reel).