



SQH3012SA SERIES ~ Low Profile SMD Power Inductors



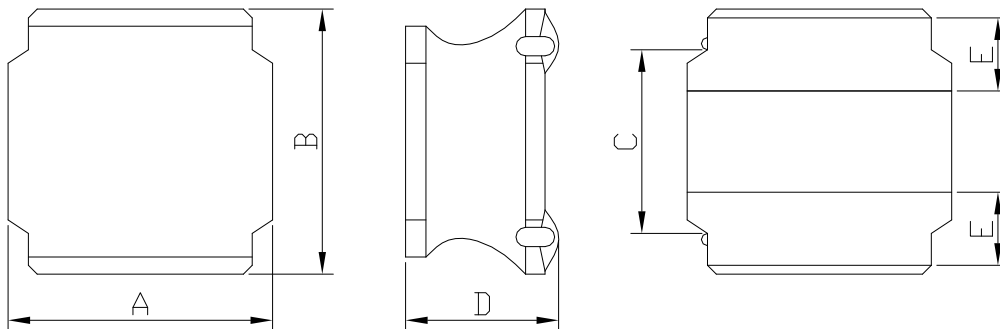
PART NUMBERING SYSTEM

(AEC-Q200)

SQH	3012SA	—	2R2M	—	LF
TYPE	DIMENSIONS		INDUCTANCE		LEAD FREE

SHAPES AND DIMENSIONS

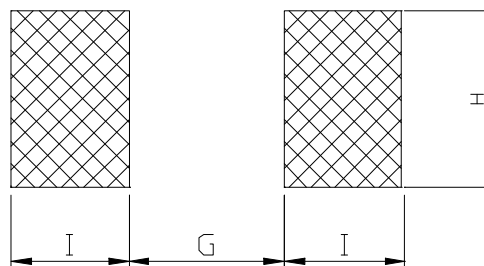
UNIT : mm



A=3.0±0.2 B=3.0±0.2 C=2.17 Ref. D=1.35 Max. E=1.13 Ref.

RECOMMENDED PATTERNS

UNIT : mm



G= 0.50 H= 2.90 I = 1.50

FEATURES

- * Low profile and small inductors (3.2mm Max. square and 1.35mm Max. height)
- * Magnetically shielded construction and high current
- * Ultra-high saturation current
- * Ideal for DC-DC converter choke coil for portable equipments (DVDs , DSC , Cellular , PDAs)
- * RoHS, Halogen Free and REACH Compliance

SQH3012SA SERIES ~ Low Profile SMD Power Inductors



SPECIFICATION TABLE

(AEC-Q200)

PART NUMBER	INDUCTANCE (μ H)	DCR (m Ω) (Max.)	Isat (A) (Max.)	Irms (A) (Max.)	SRF (MHz)
SQH3012SA-R33M-LF	0.33 \pm 30%	30.0	7.20	4.20	107
SQH3012SA-R47N-LF	0.47 \pm 20%	36.0	6.80	3.90	86
SQH3012SA-R68N-LF	0.68 \pm 20%	44.0	5.80	3.40	63
SQH3012SA-1R0N-LF	1.0 \pm 20%	58.0	4.20	2.70	51
SQH3012SA-1R5M-LF	1.5 \pm 20%	77.0	3.40	2.50	37
SQH3012SA-2R2M-LF	2.2 \pm 20%	110.0	2.80	2.05	28
SQH3012SA-3R3M-LF	3.3 \pm 20%	158	2.20	1.70	25
SQH3012SA-4R7M-LF	4.7 \pm 20%	235	2.00	1.30	20
SQH3012SA-6R8M-LF	6.8 \pm 20%	340	1.60	1.10	16
SQH3012SA-100M-LF	10.0 \pm 20%	474	1.20	1.00	12

- Test Frequency at 100KHz 0.25V
- Isat : DC current at which the inductance drops 30%(typ) from its value without current.
- Irms : The temperature rise current value is the DC current value having temperature increase up 40°C temperature rise from 25°C ambient.
- Operating temperature range -40°C to +125°C , Electrical specifications at 25°C .