

## Shielded SMD Power Inductors - SRS63B SERIES

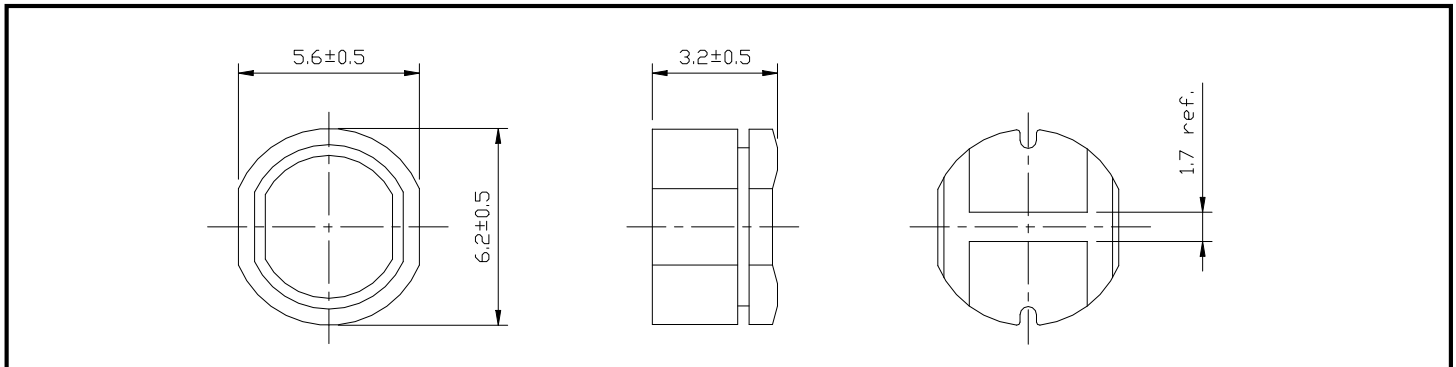


### PART NUMBERING SYSTEM

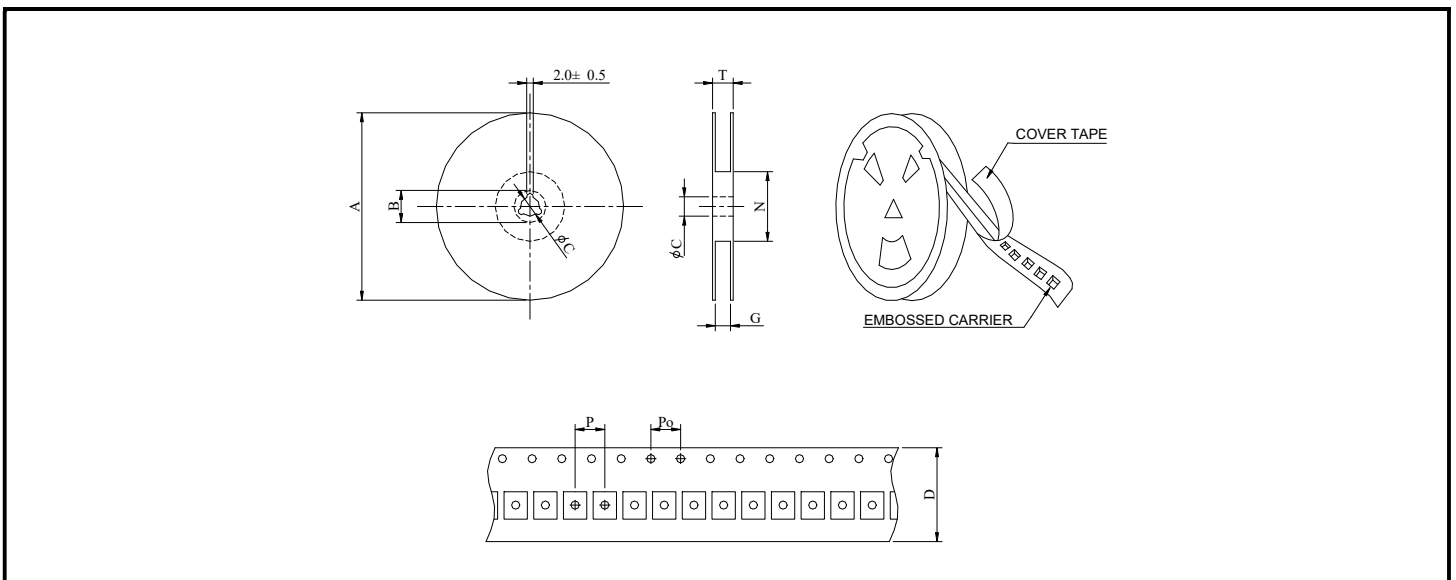
<b>SRS</b>	<b>63B</b>	—	<b>220M</b>	—	<b>LF</b>
TYPE	DIMENSIONS		INDUCTANCE		LEAD FREE

### SHAPES AND DIMENSIONS

UNIT : mm



### PACKAGING SPECIFICATION



SERIES	STAYLE	Q'TY (PCS)	DIMENSIONS (m/m)								
			A	B±0.8	C±0.5	D	G <sup>+0</sup>	N <sup>0</sup>	P	Po	T
SRS63B	13-32	1500	330	21	13	12	14	50	8	4	18.4

## Shielded SMD Power Inductors - SRS63B SERIES



### SPECIFICATION TABLE

PART NUMBER	INDUCTANCE (μH)	DCR (Ω) (Max.)	IDC ( A ) (Max.)	TEST FREQ. ( Freq. )
SRS63B-100M-LF	10±20%	0.14	1.00	2.52MHz
SRS63B-120M-LF	12±20%	0.16	0.94	2.52MHz
SRS63B-150M-LF	15±20%	0.18	0.86	2.52MHz
SRS63B-180M-LF	18±20%	0.25	0.78	2.52MHz
SRS63B-220M-LF	22±20%	0.32	0.76	2.52MHz
SRS63B-270M-LF	27±20%	0.36	0.64	2.52MHz
SRS63B-330M-LF	33±20%	0.41	0.61	2.52MHz
SRS63B-390M-LF	39±20%	0.47	0.53	2.52MHz
SRS63B-470M-LF	47±20%	0.51	0.50	2.52MHz
SRS63B-560M-LF	56±20%	0.72	0.46	2.52MHz
SRS63B-680M-LF	68±20%	0.82	0.42	2.52MHz

- DC current at which the inductance drops 25% (typ) from its value without current.
- Operating temperature range -40°C to +125°C ,
- Electrical specifications at 25°C.