



ET20LFH SERIES ~ Common Mode Choke / AC Line Filters

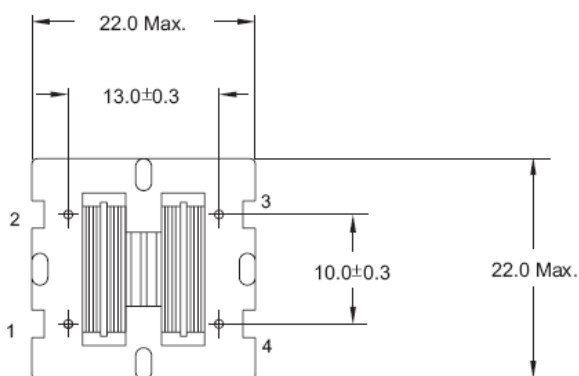
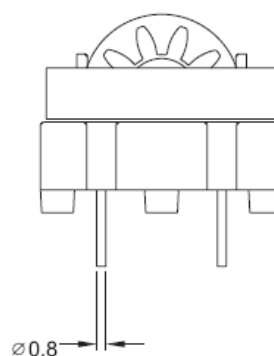
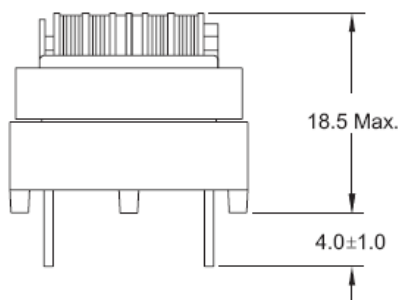


PART NUMBERING SYSTEM

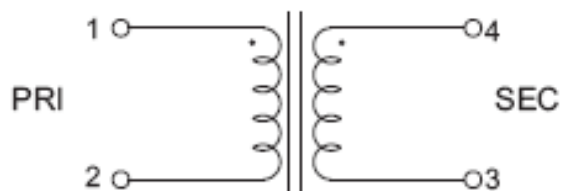
ET	20LFH	—	9 5 2	—	L F
TYPE	DIMENSIONS		IMPEDANCE		LEAD FREE

SHAPES AND DIMENSIONS

UNIT : mm



Schematic :





ET20LFH SERIES ~ Common Mode Choke / AC Line Filters



ELECTRICAL CHARACTERISTICS :

PART NUMBER	Common Mode Inductance (mH)	RATED CURRENT (Aac)	DCR mohm (V)	INSULATION RESISTANCE (M ohm)
ET20LFH-252-LF	2.50min.	2.0	105	100min.
ET20LFH-362-LF	3.60min.	1.7	155	100min.
ET20LFH-592-LF	5.90min.	1.3	255	100min.
ET20LFH-762-LF	7.60min.	1.1	330	100min.
ET20LFH-952-LF	9.50min.	0.9	410	100min.
ET20LFH-133-LF	13.8min.	0.8	580	100min.
ET20LFH-173-LF	17.0min.	0.7	745	100min.
ET20LFH-203-LF	20.0min.	0.6	990	100min.
ET20LFH-253-LF	25.0min.	0.55	1110	100min.
ET20LFH-303-LF	30.5min.	0.5	1400	100min.
ET20LFH-403-LF	40.5 min.	0.4	1890	100min.
ET20LFH-623-LF	62.0min.	0.3	2870	100min.

- 1) Test Frequency : 40KHZ / 1V
- 2) Operating Temperature Range : -40°C to + 85 °C range is application specific.
- 3) Winding Temperature Rise (at Rated Current) : 60K max.
- 4) Packaging : Supplied in bulk packaging.