

ET28LFH SERIES ~ Common Mode Choke / AC Line Filters

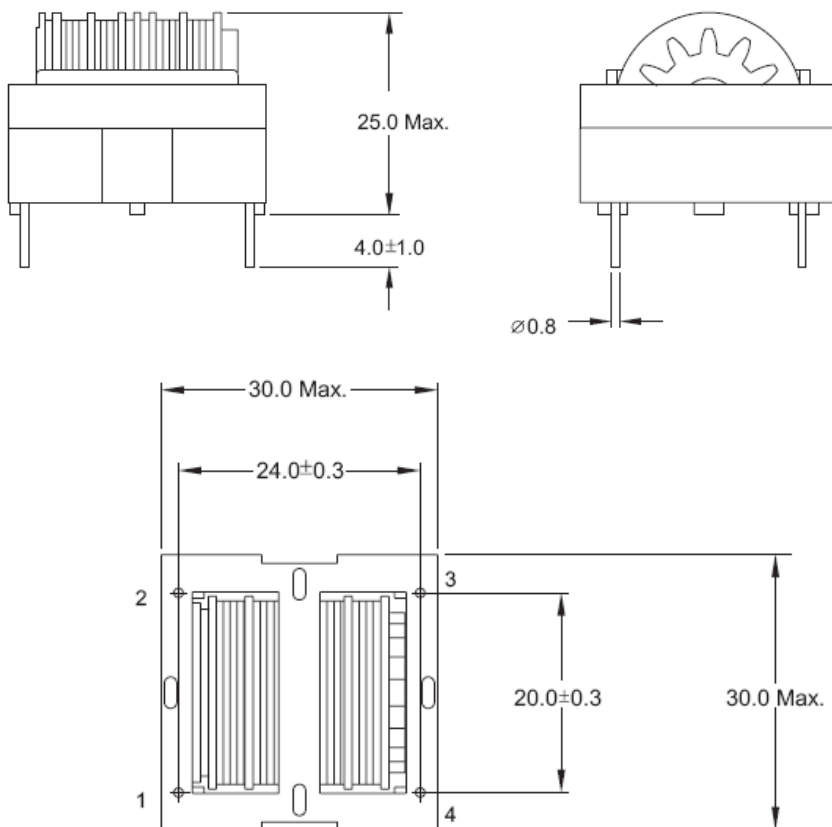


PART NUMBERING SYSTEM

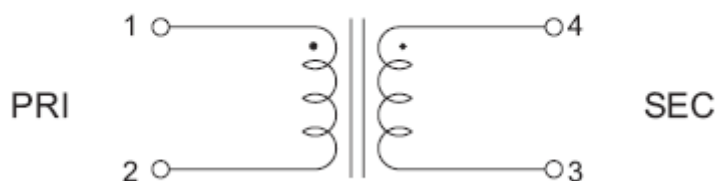
ET	28LFH	—	2 2 3	—	LF
TYPE	DIMENSIONS		IMPEDANCE		LEAD FREE

SHAPES AND DIMENSIONS

UNIT : mm



Schematic :



ET28LFH SERIES ~ Common Mode Choke / AC Line Filters



ELECTRICAL CHARACTERISTICS :

PART NUMBER	Common Mode Inductance (mH)	RATED CURRENT (Aac)	DCR mohm (V)	INSULATION RESISTANCE (M ohm)
ET28LFH-232-LF	2.30min.	4.3	0.037	100min.
ET28LFH-382-LF	3.80min.	3.5	0.070	100min.
ET28LFH-582-LF	5.80min.	2.6	0.100	100min.
ET28LFH-702-LF	7.00min.	2.3	0.140	100min.
ET28LFH-802-LF	8.00min.	2.1	0.170	100min.
ET28LFH-113-LF	11.0min.	2.0	0.220	100min.
ET28LFH-133-LF	13.0min.	1.8	0.220	100min.
ET28LFH-153-LF	15.0min.	1.5	0.280	100min.
ET28LFH-183-LF	18.0min.	1.3	0.360	100min.
ET28LFH-223-LF	22.0min.	1.2	0.410	100min.
ET28LFH-253-LF	25.0 min.	1.0	0.490	100min.
ET28LFH-373-LF	27.0min.	0.9	0.660	100min.
ET28LFH-533-LF	53.0 min.	0.7	1.010	100min.
ET28LFH-783-LF	78.0min.	0.6	1.460	100min.

- 1) Test Frequency : 1KHZ / 1V
- 2) Operating Temperature Range : -40°C to + 85 °C range is application specific.
- 3) Winding Temperature Rise (at Rated Current) : 60K max.
- 4) Packaging : Supplied in bulk packaging.