



ET35LF SERIES ~ Common Mode Chokes / AC Line Filters

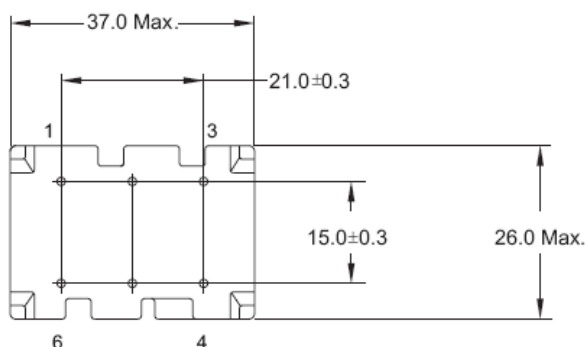
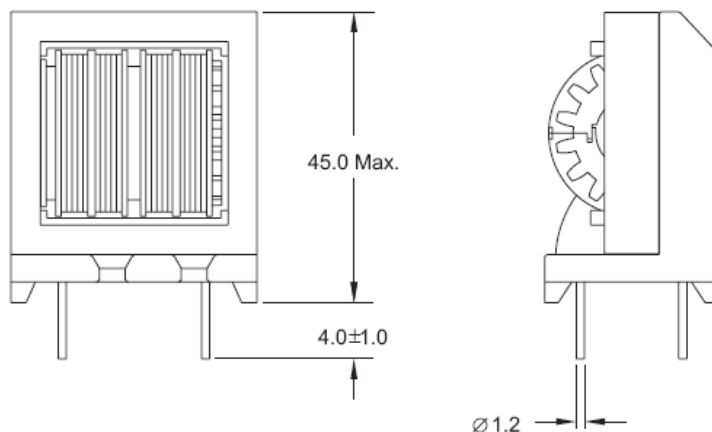


PART NUMBERING SYSTEM

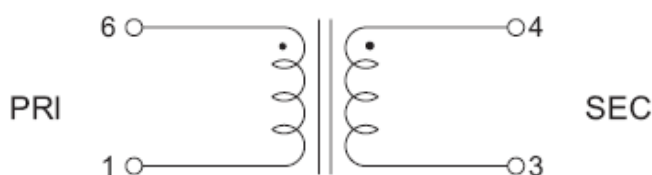
ET	35LF	—	1 8 3	—	LF
TYPE	DIMENSIONS		IMPEDANCE		LEAD FREE

SHAPES AND DIMENSIONS

UNIT : mm



Schematic :





ET35LF SERIES ~ Common Mode Chokes / AC Line Filters



ELECTRICAL CHARACTERISTICS :

PART NUMBER	Common Mode Inductance (mH)	RATED CURRENT (Aac)	DCR mohm (V)	INSULATION RESISTANCE (M ohm)
ET35LF-272-LF	2.70min.	5.0	36	100min.
ET35LF-332-LF	3.30min.	4.3	47	100min.
ET35LF-442-LF	4.40min.	4.0	55	100min.
ET35LF-522-LF	5.20min.	3.5	77	100min.
ET35LF-832-LF	8.30min.	3.0	96	100min.
ET35LF-133-LF	13.0min.	2.5	147	100min.
ET35LF-183-LF	18.0min.	2.0	220	100min.
ET35LF-293-LF	29.0min.	1.6	320	100min.
ET35LF-343-LF	34.0min.	1.4	416	100min.
ET35LF-483-LF	48.0min.	1.1	590	100min.

- 1) Test Frequency : 40KHZ / 1V
- 2) Operating Temperature Range : -40°C to + 85 °C range is application specific.
- 3) Winding Temperature Rise (at Rated Current) : 60K max.
- 4) Packaging : Supplied in bulk packaging.