



Wire Wound Ferrite Chip Inductors - MS1608LC SERIES

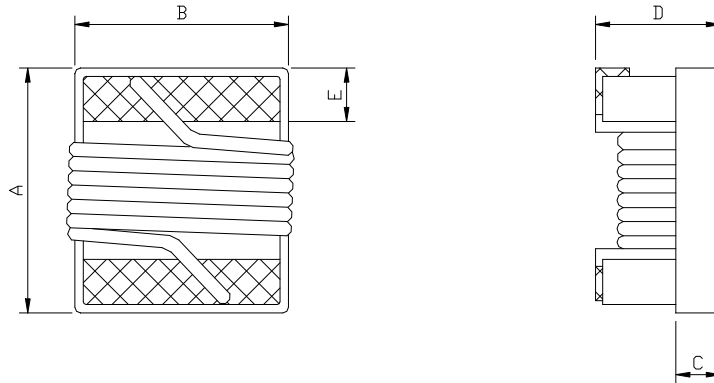


PART NUMBERING SYSTEM

MS	1608LC	—	6R8K	—	LF
TYPE	DIMENSIONS		INDUCTANCE		LEAD FREE

SHAPES AND DIMENSIONS

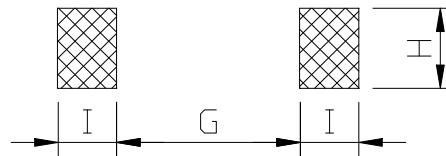
UNIT : mm



A=1.8 Max. B=1.2 Max. C=0.45 Ref. D=1.10 Max. E=0.33±0.1

RECOMMENDED PATTERNS

UNIT : mm



G=0.64 H=1.02 I=0.64



Wire Wound Ferrite Chip Inductors - MS1608LC SERIES



SPECIFICATION TABLE

PART NUMBER	INDUCTANCE (uH)	TOLERANCE	Q. MIN.	SRF (MHz) MIN.	DCR (Ω) (max)	IDC (A) (max)
MS1608LC-47N□-LF	0.047@7.96MHz	K,M	10.0@7.96MHz	2000	75m	1800
MS1608LC-R10□-LF	0.10@7.96MHz	K,M	12.0@7.96MHz	1150	0.13	2200
MS1608LC-R15□-LF	0.15@7.96MHz	K,M	15.0@7.96MHz	1050	0.15	1800
MS1608LC-R22□-LF	0.22@7.96MHz	K,M	15.0@7.96MHz	900	0.30	1200
MS1608LC-R24□-LF	0.24@7.96MHz	K,M	15.0@7.96MHz	850	0.33	1200
MS1608LC-R27□-LF	0.27@7.96MHz	K,M	15.0@7.96MHz	835	0.35	1180
MS1608LC-R33□-LF	0.33@7.96MHz	K,M	15.0@7.96MHz	725	0.46	1000
MS1608LC-R39□-LF	0.39@7.96MHz	K,M	15.0@7.96MHz	680	0.45	1000
MS1608LC-R47□-LF	0.47@7.96MHz	K,M	15.0@7.96MHz	640	0.43	1400
MS1608LC-R56□-LF	0.56@7.96MHz	K,M	15.0@7.96MHz	630	0.44	1400
MS1608LC-R68□-LF	0.68@7.96MHz	K,M	15.0@7.96MHz	510	0.52	1340
MS1608LC-R78□-LF	0.78@7.96MHz	K,M	15.0@7.96MHz	465	0.63	1300
MS1608LC-R82□-LF	0.82@7.96MHz	K,M	15.0@7.96MHz	460	0.69	1200
MS1608LC-1R0□-LF	1.00@7.96MHz	J,K	15.0@7.96MHz	320	0.81	1100
MS1608LC-1R2□-LF	1.20@7.96MHz	J,K	15.0@7.96MHz	270	0.87	1000
MS1608LC-1R5□-LF	1.50@7.96MHz	J,K	15.0@7.96MHz	230	0.96	920
MS1608LC-1R8□-LF	1.80@7.96MHz	J,K	15.0@7.96MHz	210	1.10	900
MS1608LC-2R2□-LF	2.20@7.96MHz	J,K	15.0@7.96MHz	115	1.20	740
MS1608LC-2R7□-LF	2.70@7.96MHz	J,K	15.0@7.96MHz	100	1.38	700
MS1608LC-3R3□-LF	3.30@7.96MHz	J,K	15.0@7.96MHz	84	1.50	680
MS1608LC-3R9□-LF	3.90@7.96MHz	J,K	15.0@7.96MHz	75	1.50	600
MS1608LC-4R7□-LF	4.70@7.96MHz	J,K	15.0@7.96MHz	67	2.10	580
MS1608LC-5R6□-LF	5.60@7.96MHz	J,K	15.0@7.96MHz	55	2.37	540
MS1608LC-6R8□-LF	6.80@7.96MHz	J,K	15.0@7.96MHz	48	3.10	500
MS1608LC-7R8□-LF	7.80@7.96MHz	J,K	15.0@7.96MHz	40	3.35	460
MS1608LC-8R2□-LF	8.20@7.96MHz	J,K	15.0@7.96MHz	38	3.50	440
MS1608LC-100□-LF	10.0@2.52MHz	J,K	12.0@2.52MHz	32	4.46	400

※ Inductance and SRF are measured in HP-E4991A impedance analyzer with HP-16197A fixture.

※ Inductance Tolerance: J=5% ; K=10% ; M=20%

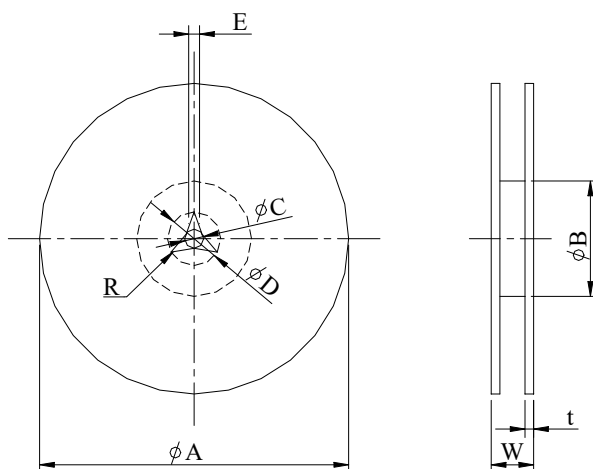
※ RDC is measured in Chroma 16502 mill ohm meter. (or equivalent)

※ IDC For inductance drop 10% from it's value without current .

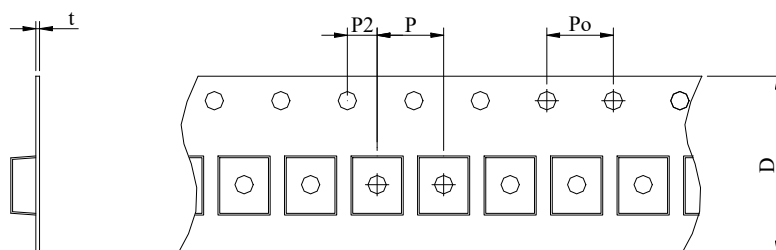
Wire Wound Ferrite Chip Inductors - MS1608LC SERIES



PACKAGING SPECIFICATION



	A	B	C	D	E	W	t	R
T(ψ 180mm) Reel	ψ 180	ψ 60	ψ 13	—	—	14.4	—	—



TYPE	Reel/pcs	P	Po	P2	t	D
MS1608LC	4,000	4	4	2	1	8