



Ferrite Chip Inductors - MS1608LS SERIES

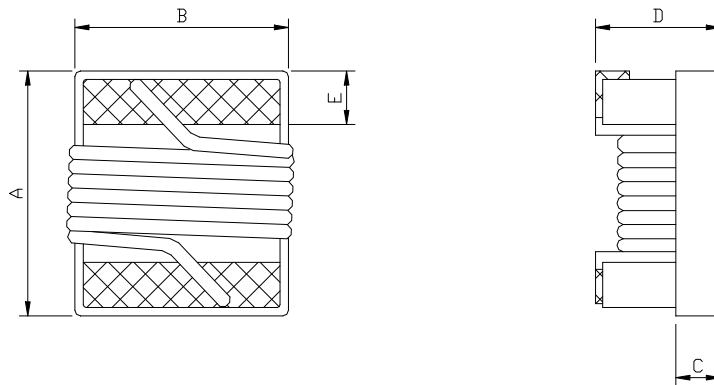


PART NUMBERING SYSTEM

MS	1608LS	—	3N3K	—	LF
TYPE	DIMENSIONS		INDUCTANCE		LEAD FREE

SHAPES AND DIMENSIONS

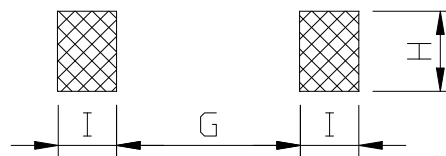
UNIT : mm



A=1.8 Max. B=1.2 Max. C=0.45 Ref. D=1.10 Max. E=0.33±0.1

RECOMMENDED PATTERNS

UNIT : mm



G=0.64 H=1.02 I=0.64

Ferrite Chip Inductors - MS1608LS SERIES



SPECIFICATION TABLE

PART NUMBER	INDUCTANCE (μ H)	TOLERANCE	Q. MIN.	SRF (MHz) MIN.	DCR (Ω) (max)	IDC (A) (max)
MS1608LS-1R0□-LF	1.00@7.96MHz	K,M	16.0@7.96MHz	390	0.81	860
MS1608LS-1R5□-LF	1.50@7.96MHz	K,M	16.0@7.96MHz	160	0.96	720
MS1608LS-1R8□-LF	1.80@7.96MHz	K,M	16.0@7.96MHz	121	1.10	640
MS1608LS-2R2□-LF	2.20@7.96MHz	K,M	16.0@7.96MHz	103	1.20	600
MS1608LS-2R7□-LF	2.70@7.96MHz	K,M	16.0@7.96MHz	72	1.38	540
MS1608LS-3R3□-LF	3.30@7.96MHz	K,M	16.0@7.96MHz	66	1.50	500
MS1608LS-3R9□-LF	3.90@7.96MHz	K,M	16.0@7.96MHz	61	1.50	460
MS1608LS-4R7□-LF	4.70@7.96MHz	K,M	16.0@7.96MHz	51	2.10	400
MS1608LS-5R6□-LF	5.60@7.96MHz	K,M	16.0@7.96MHz	47	2.37	380
MS1608LS-6R8□-LF	6.80@7.96MHz	K,M	16.0@7.96MHz	43	3.10	340
MS1608LS-8R2□-LF	8.20@7.96MHz	K,M	16.0@7.96MHz	40	3.50	300
MS1608LS-100□-LF	10.0@2.52MHz	K,M	14.0@2.52MHz	36	4.46	280
MS1608LS-120□-LF	12.0@2.52MHz	K,M	14.0@2.52MHz	32	4.46	260
MS1608LS-150□-LF	15.0@2.52MHz	K,M	14.0@2.52MHz	29	4.46	240
MS1608LS-180□-LF	18.0@2.52MHz	K,M	14.0@2.52MHz	28	4.46	220
MS1608LS-220□-LF	22.0@2.52MHz	K,M	14.0@2.52MHz	24	4.46	200

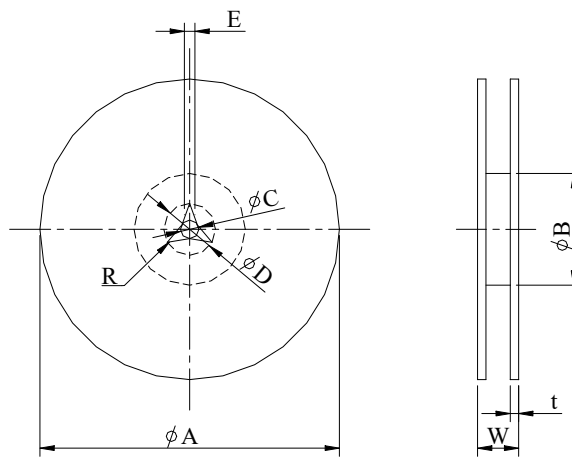
- Inductance and SRF are measured in HP-E4991A impedance analyzer with HP-16197A fixture.
- Inductance Tolerance: K=10% ; M=20%
- RDC is measured in Chroma 16502 mill ohm meter. (or equivalent)
- IDC For inductance drop 10% from it's value without current .



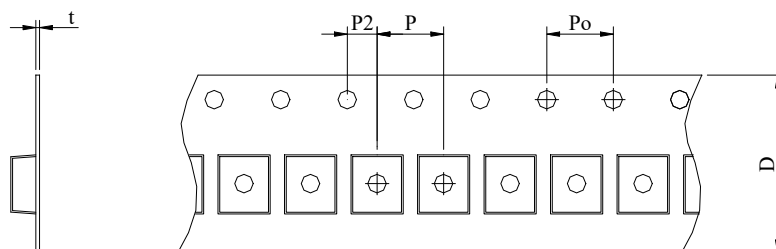
Ferrite Chip Inductors - MS1608LS SERIES



PACKAGING SPECIFICATION



	A	B	C	D	E	W	t	R
T($\phi 180\text{mm}$) Reel	$\phi 180$	$\phi 60$	$\phi 13$	—	—	14.4	—	—



TYPE	Reel/pcs	P	Po	P2	t	D
MS1608LS	4,000	4	4	2	1	8