



High Q Ceramic Chip Inductors - MS1610HQ SERIES



FEATURES :

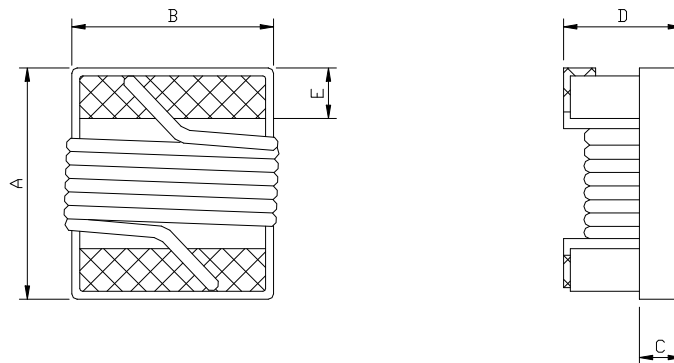
- High current ratings - up to 2.4 Amps
- Will handle transient currents up to 50% higher.
- Inductance values from 1.6 to 24 nH
- Lead Free with RoHS Compliant .

PART NUMBERING SYSTEM

MS	1610HQ	—	7N6J	—	LF
TYPE	DIMENSIONS		INDUCTANCE		LEAD FREE

SHAPES AND DIMENSIONS

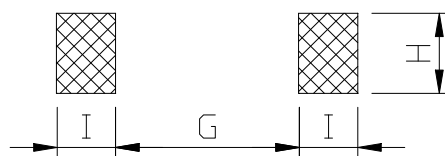
UNIT : mm



A=1.85 Max. B=1.37 Max. C=0.64 Ref. D=1.19 Max. E=0.33 Ref.

RECOMMENDED PATTERNS

UNIT : mm



G=0.63 H=1.35 I=0.63

High Q Ceramic Chip Inductors - MS1610HQ SERIES



SPECIFICATION TABLE

PART NUMBER	INDUCTANCE (nH)	TOLERANCE	Q. MIN.	SRF (MHz) MIN.	DCR (Ω) (max)	IDC (A) (max)
MS1610HQ-1N0X-LF	1.0@900MHz	B,S	25@900MHz	12300	0.021	3.00
MS1610HQ-2N6X-LF	2.6@900MHz	B,S	45@900MHz	9300	0.026	2.00
MS1610HQ-4N5X-LF	4.5@900MHz	B,S	50@900MHz	5800	0.032	1.80
MS1610HQ-5N0X-LF	5.0@900MHz	B,S	60@900MHz	5300	0.032	1.60
MS1610HQ-6N8X-LF	6.8@900MHz	B,S	60@900MHz	4700	0.035	1.80
MS1610HQ-7N6X-LF	7.6@900MHz	J,K	60@900MHz	4400	0.035	1.50
MS1610HQ-10NX-LF	10@900MHz	J,K	60@900MHz	4100	0.037	1.50

INDUTANCE TOLERANCE : B= ± 0.2 nH, S= ± 0.3 nH, J= $\pm 5\%$, K= $\pm 10\%$

TEST EQUIPMENT: Inductance measured using an Agilent/HP 4286A impedance analyzer .

Operating temperature range -40°C to +125°C.

Electrical specifications at 25°C.

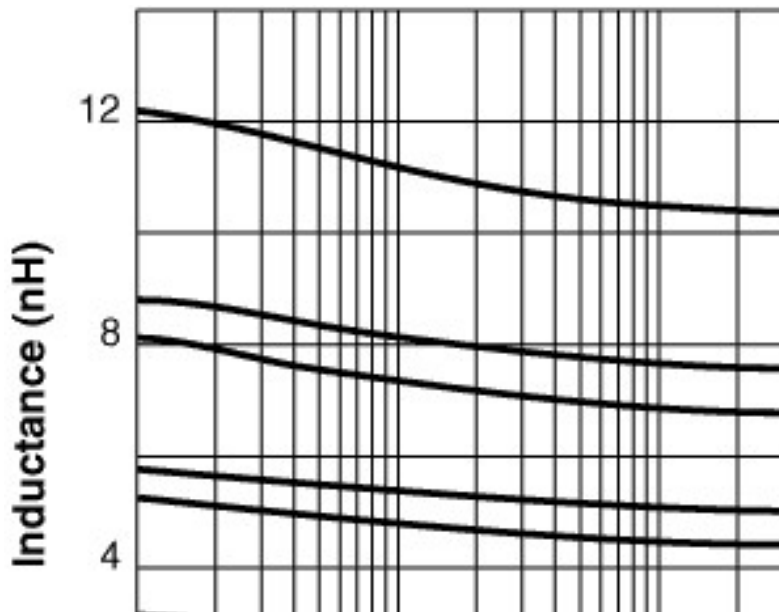


High Q Ceramic Chip Inductors - MS1610HQ SERIES

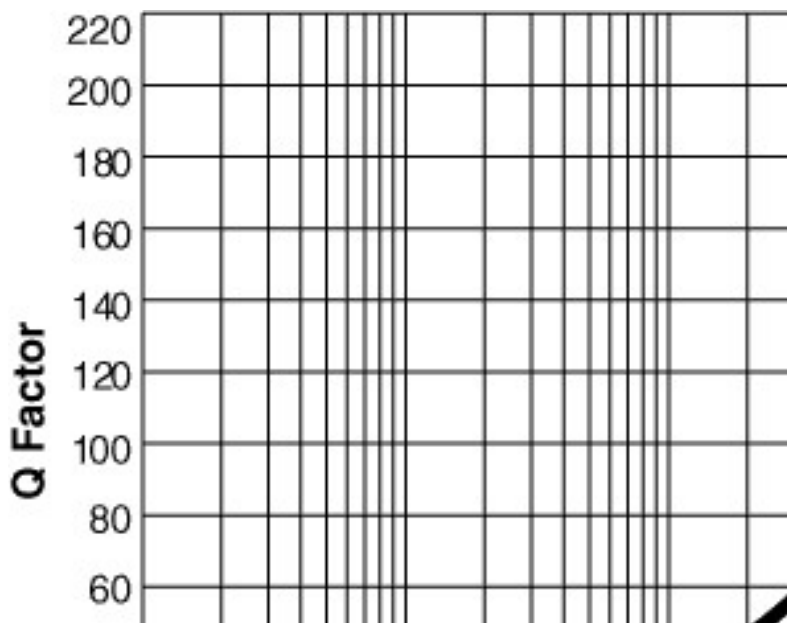


TYPICAL ELECTRICAL CHARACTERISTICS

INDUCTANCE vs. FREQUENCY CHARACTERISTICS



Q vs. FREQUENCY CHARACTERISTICS

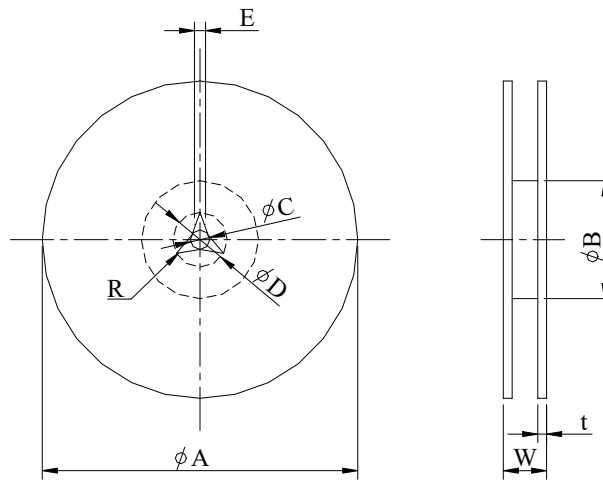




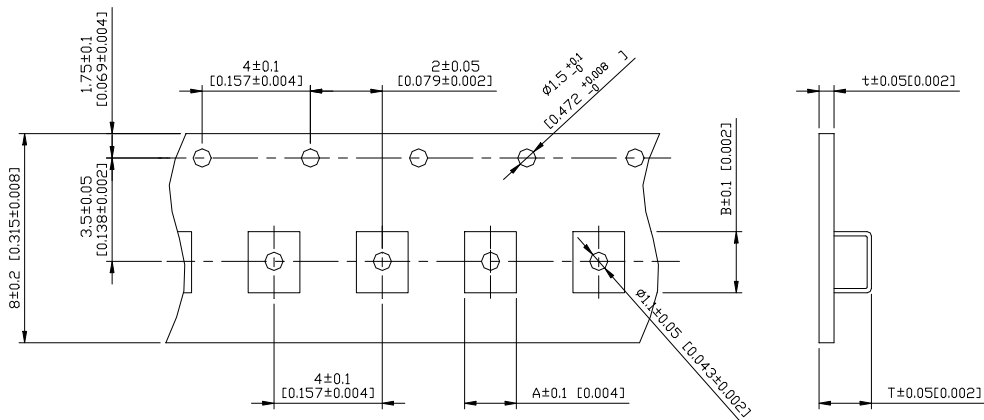
High Q Ceramic Chip Inductors - MS1610HQ SERIES



PACKAGING SPECIFICATION



	A	B	C	D	E	W8	W12	t	R
T(ψ178mm) Reel	ψ178±2	ψ60±1	ψ13±0.8	ψ21±0.8	2	10±1.5	14.5±1.5	1.27±0.2	1



TYPE	A	B	T	t	T(ψ178mm)	T(ψ330mm)
MS1610HQ	1.10	1.90	1.10	0.2	3000 pcs/reel	-