



MS2010LC SERIES ~ Wire Wound Ferrite Chip Inductors



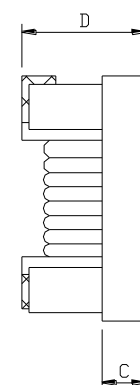
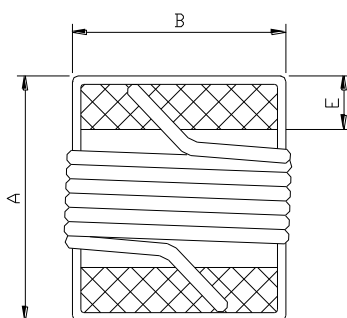
PART NUMBERING SYSTEM

MS	2010LC	—	1R0	— LF
TYPE	DIMENSIONS		INDUCTANCE	LEAD FREE

FEATURES :

1. Low profile 1.00mm Max.
2. MS2012LC products conforms to the standards that are slated to be introduced under the RoHS Directive.
3. Applications for Audio-visual equipment , cable modems , ADSL , mobile base stations .

SHAPES AND DIMENSIONS

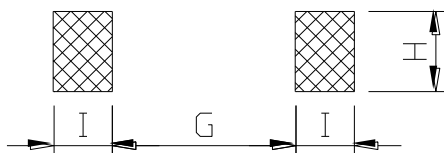


UNIT : mm

A=2.4 Max. B=1.78 Max. C=0.70 Ref. D=1.0 Max. E=0.50±0.1

RECOMMENDED PATTERNS

UNIT : mm



G=0.76 H=1.78 I=1.02

MS2010LC SERIES ~ Wire Wound Ferrite Chip Inductors



SPECIFICATION TABLE

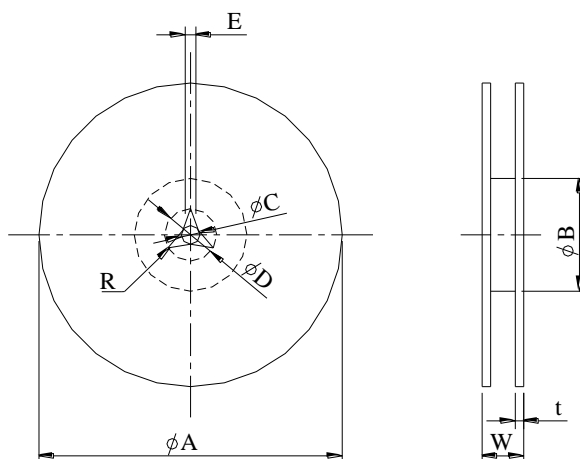
PART NUMBER	INDUCTANCE (uH)	TOLERANCE	Q. MIN.	SRF (MHz) MIN.	DCR (Ω) (Typ.)	IDC (mA) (max)
MS2010LC-1R0□-LF	1.0@7.9MHz	K, M	14@7.9MHz	440	0.45	1150
MS2010LC-1R5□-LF	1.5@7.9MHz	K, M	14@7.9MHz	170	0.55	1100
MS2010LC-1R8□-LF	1.8@7.9MHz	K, M	14@7.9MHz	115	0.57	1050
MS2010LC-2R2□-LF	2.2@7.9MHz	K, M	13@7.9MHz	100	0.77	1000
MS2010LC-3R3□-LF	3.3@7.9MHz	K, M	12@7.9MHz	54	0.93	840
MS2010LC-3R9□-LF	3.9@7.9MHz	K, M	14@7.9MHz	44	1.00	800
MS2010LC-4R7□-LF	4.7@7.9MHz	K, M	14@7.9MHz	38	1.35	740
MS2010LC-6R8□-LF	6.8@7.9MHz	K, M	12@7.9MHz	33	1.63	640
MS2010LC-8R2□-LF	8.2@7.9MHz	K, M	12@7.9MHz	30	1.97	580
MS2010LC-100□-LF	10@2.5MHz	K, M	11@7.9MHz	28	2.34	500
MS2010LC-150□-LF	15@2.5MHz	K, M	11@7.9MHz	20	3.84	400
MS2010LC-220□-LF	22@2.5MHz	K, M	10@7.9MHz	15	5.79	340

- Inductance and SRF are measured in HP-E4991A impedance analyzer with HP-16197A fixture.
- Inductance Tolerance : J=5%, K=10%, M=20%.
- RDC is measured in Chroma 16502 mill ohm meter. (or equivalent)
- IDC For inductance drop 10% from it's value without current .

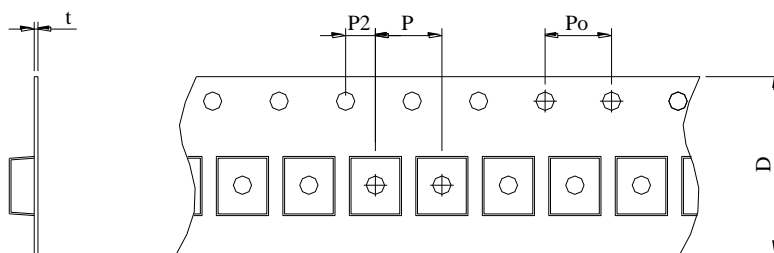
MS2010LC SERIES ~ Wire Wound Ferrite Chip Inductors



PACKAGING SPECIFICATION



	A	B	C	D	E	W	t	R
T($\psi 180\text{mm}$) Reel	$\psi 180$	$\psi 60$	$\psi 13$	—	—	14.4	—	—



TYPE	Reel/pcs	P	Po	P2	t	D
MS2010LC	2000	4	4	2	1	8