



## MODEL 1200 Series

Wall or DIN-Rail Mounting

3-port 100M Media Converter

- Support 1 100M fiber port and 2 100M copper port
- Support 220VAC/DC, -48VDC built-in power supply, and 5VDC external power supply
- Support -10~65 °C wide operating temperature range



## Introduction

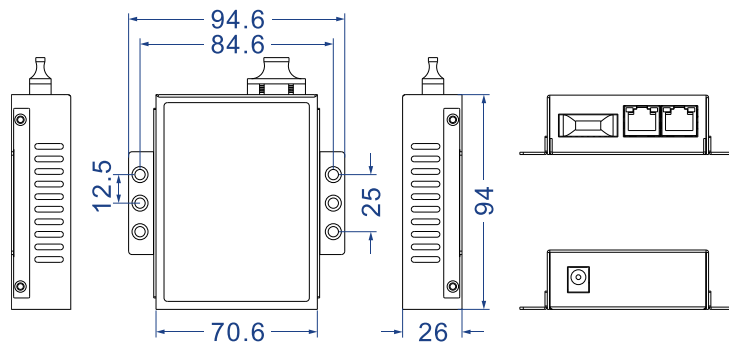
MODEL1200 series are 3-port 100M media converters, which can convert Ethernet electrical signal into Ethernet optical signal. This can extend transmission distance, and has great isolation protection and data security. This series provide products with 3 different power input schemes and support 100M Ethernet copper ports and fiber ports. They adopt wall or DIN-Rail mounting to meet the requirements of different application scenes.

This product conforms to CE and FCC certification standards. Hardware adopts fanless, low power consumption, wide temperature and voltage design and has passed rigorous industrial standard tests, which can suit for the industrial scene environment with harsh requirements.

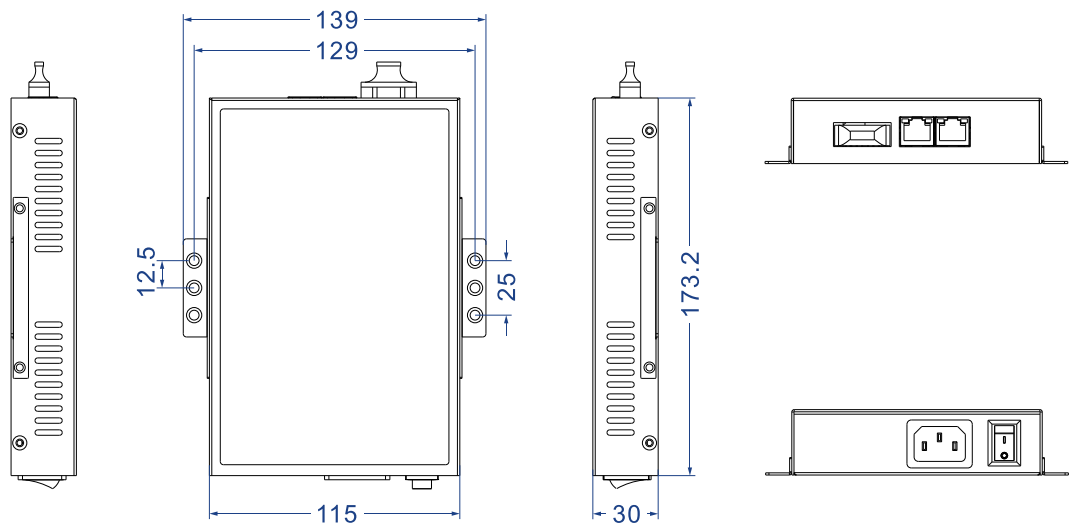
## Dimension

Unit:mm

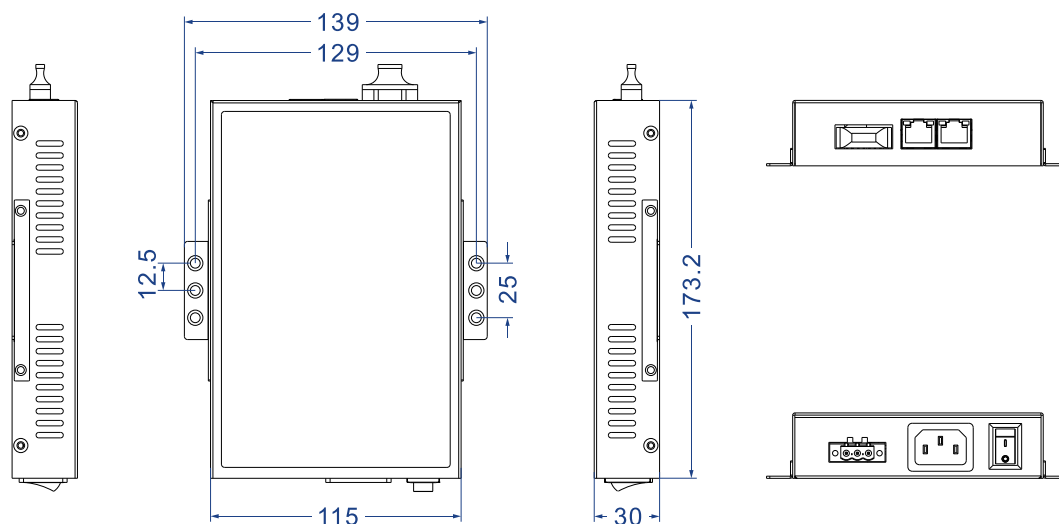
- External 5VDC power supply



- Built-in 220VAC/DC power supply



- Built-in -48VDC power supply



## Specification

|                     |   |
|---------------------|---|
| Standard & Protocol | IEEE 802.3 for 10Base-T<br>IEEE 802.3u for 100Base-TX and 100Base-FX  |
| Copper port         | 10/100Base-T(X), RJ45, Automatic Flow Control, Full/half Duplex Mode, MDI/MDI-X Autotuning  |
| Fiber port          | <p>Standard: 100Base-FX<br/>Connection mode: optional SC/ST/FC</p> <p>Transmission distance:</p> <ul style="list-style-type: none"> <li>● multimode: 2km</li> <li>● single mode: 20/40/60/80/100/120km</li> </ul> <p>Fiber optical cable:</p> <ul style="list-style-type: none"> <li>● multimode: 50/125μm or 62.5/125μm;</li> <li>● single mode: 8.3/125μm, 8.7/125μm, 9/125μm or 10/125μm</li> </ul> <p>Transmission wavelength:</p> <ul style="list-style-type: none"> <li>● multimode: 1310nm</li> <li>● single mode: 1310nm or 1550nm</li> </ul> |
| Indicator           | Power supply indicator, fiber port indicator, copper port indicator   |
| Power supply        | <p>Support 3 power supply input schemes</p> <ul style="list-style-type: none"> <li>● External 5VDC, DC round head</li> <li>● Built-in 220VAC/DC, AC outlet with switch</li> </ul>   |

|                         |  |
|-------------------------|--|
|                         | <ul style="list-style-type: none"><li>Built-in -48VDC 3-pin 5.08mm pitch terminal blocks</li></ul>   |
| Power consumption       | 4W   |
| Working environment     | Operating temperature: -10~60 °C<br>Storage temperature: -20~70 °C<br>Relative humidity: 5%~95%(no condensation)   |
| Physical Characteristic | Shell: metal shell<br>Installation: wall or DIN-Rail mounting<br>Dimension (W x H x D): 70.6mm×26mm×94mm (external power supply)<br>115mm×30mm×173.2mm (built-in power supply) |
| Certification           | CE, FCC, RoHS  |
| Warranty                | 3 years  |



## Ordering Information

| Available Models | 100M Fiber Port | 100M Copper Port | Power Supply |
|------------------|-----------------|------------------|--------------|
| MODEL1200-5VDC   | 1               | 2                | 5VDC         |
| MODEL1200-220VAC | 1               | 2                | 220VAC/DC    |
| MODEL1200-48VDC  | 1               | 2                | -48VDC       |



Address: 3/B, Zone 1, Baiwangxin High Technology Industrial Park, Song Bai Road, Nanshan District, Shenzhen, 518108, China

TEL.: +86-755-26702668 ext 835 FAX: +86-755-26703485

E-mail: [ics@3onedata.com](mailto:ics@3onedata.com)

Website: [www.3onedata.com](http://www.3onedata.com)

◀ Please scan our QR code for more details

\*Product pictures and technical data in this datasheet are only for reference. Updates are subject to change without prior notice. The final interpretation right is reserved by 3onedata.