



MODEL3012 Series

Wall or DIN-Rail Mounting

2-port Gigabit Media Converter

- Support 1 Gigabit fiber port, 1 Gigabit copper port
- Support built-in power supply 220VAC, 48VDC, external power supply 5VDC
- Support -10~60°C wide operating temperature range



Introduction

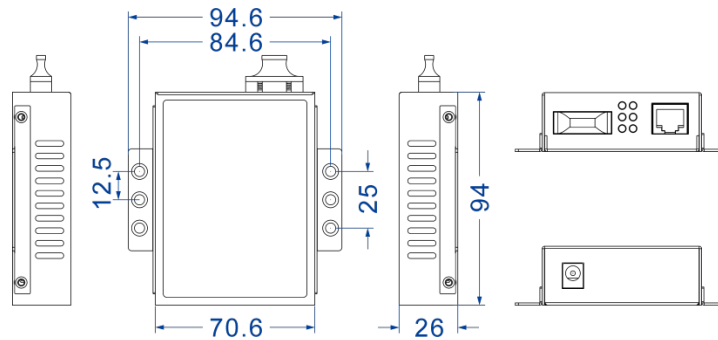
MODEL3012 series are 2-port Gigabit media converter. It can convert Ethernet electrical signal into Ethernet optical signal to extend the transmission distance. It also has good isolation protection and data confidentiality. This series include three types of products with different mains input methods and provide Gigabit copper port, Gigabit fiber port. It adopts DIN-Rail or wall mounting to meet the requirements of different application scenes.

This series of products conform to CE, FCC certification standards. Hardware adopts fanless, low power consumption, wide temperature and voltage design, which can suit for the scene environment with harsh requirements. It can be widely used in various fields.

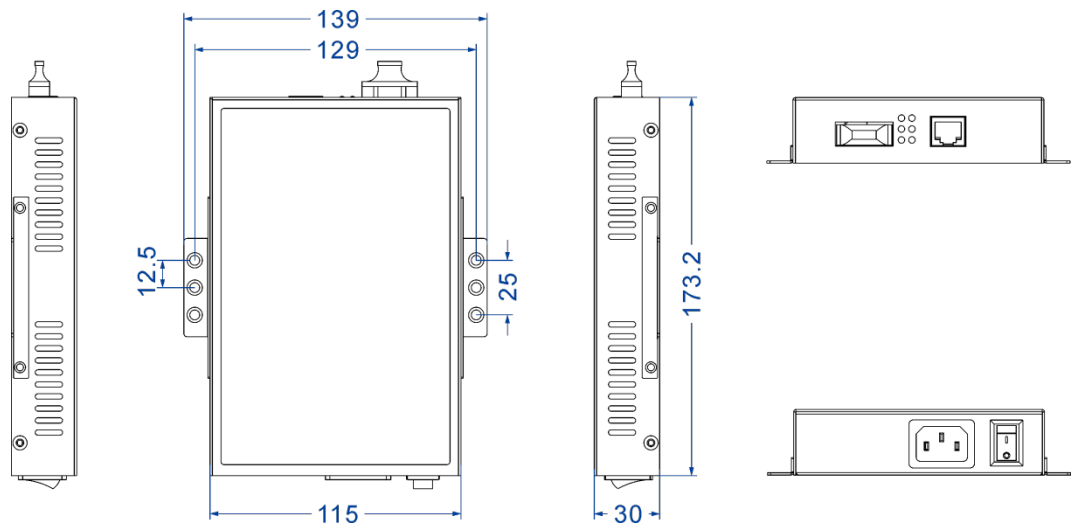
Dimension

Unit:mm

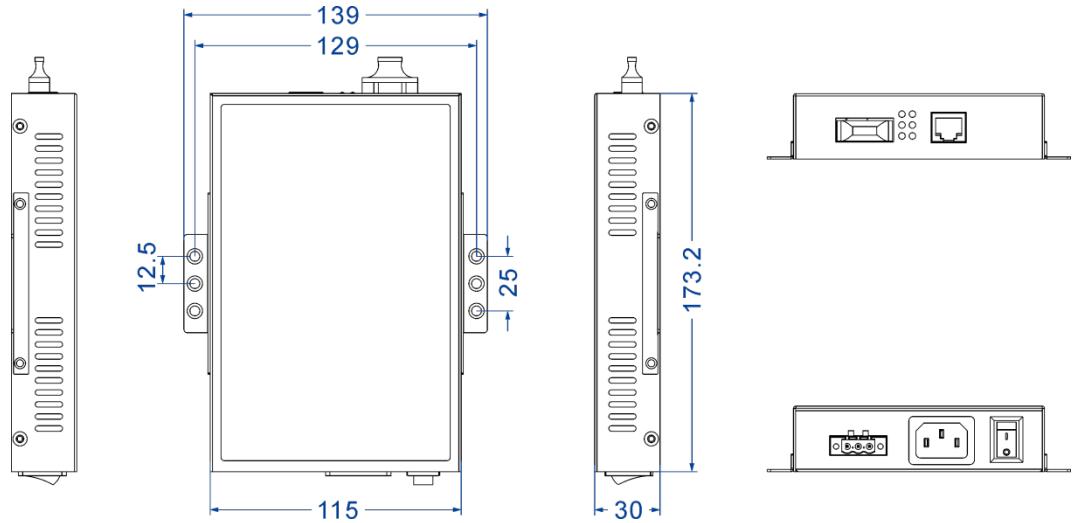
- External power supply 5VDC



- Built-in power supply 220VAC



- Built-in power supply 48VDC



Specification

Standard & Protocol	<p>IEEE 802.3 for 10Base-T IEEE 802.3u for 100Base-TX IEEE 802.3ab for 1000Base-T IEEE 802.3z for 1000Base-X</p>
Copper Port	<p>10/100/1000Base-T(X), RJ45, automatic flow control, full/half duplex mode, MDI/MDI-X autotuning</p>
Fiber Port	<p>Standard: 1000Base-FX Connection mode: SC/ST/FC optional</p> <p>Transmission distance:</p> <ul style="list-style-type: none"> ● Multimode: 500m/2km ● Single mode: 10/20/40/60/80km <p>Fiber cable:</p> <ul style="list-style-type: none"> ● Multimode: 50/125μm or 62.5/125μm ● Single mode: 8.3/125μm, 8.7/125μm, 9/125μm or 10/125μm <p>Transmission wavelength:</p> <ul style="list-style-type: none"> ● Multimode: 850nm/1310nm ● Single mode: 1310nm/1550nm
LED Indicator	<p>Port indicator, power supply indicator</p>
Power Requirement	<p>Support three kinds of mains input methods</p> <ul style="list-style-type: none"> ● External 5VDC, DC round head ● Built-in 220VAC, AC socket with switch

	<ul style="list-style-type: none">Built-in 48VDC, 3-pin 5.08mm pitch terminal blocks
Power Consumption	4W
Environmental Limit	Operating temperature: -10~60°C Storage temperature: -20~70°C Relative humidity: 5% ~ 95% (no condensation)
Physical Characteristic	Housing: metal Installation: wall or DIN-Rail mounting Dimension (W x H x D): 70.6mm×26mm×94mm (external power supply) 115mm×30mm×173.2mm (built-in power supply)
Certification	CE, FCC, RoHS
Warranty	3 years



Ordering Information

Available Models	Gigabit Fiber Port	Gigabit Copper Port	Power Supply Range
MODEL3012-5VDC	1	1	5VDC
MODEL3012-220VAC	1	1	220VAC
MODEL3012-48VDC	1	1	48VDC



Address: 3/B, Zone 1, Baiwangxin High Technology Industrial Park, Song Bai Road, Nanshan District, Shenzhen, 518108, China

TEL.: +86-755-26702668 ext 835 FAX: +86-755-26703485

E-mail: ics@3onedata.com

Website: www.3onedata.com

◀ Please scan our QR code for more details

*Product pictures and technical data in this datasheet are only for reference. Updates are subject to change without prior notice. The final interpretation right is reserved by 3onedata.