



Axial Leaded Inductors - AL0612 SERIES

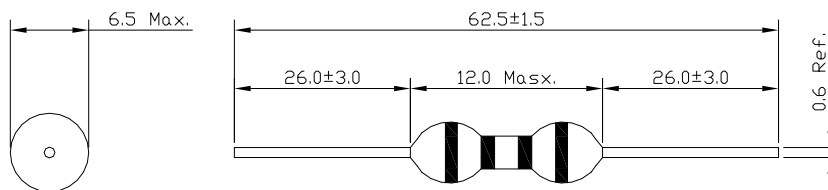


PART NUMBERING SYSTEM

AL	0612	—	222K	—	LF
TYPE	DIMENSIONS		INDUCTANCE		LEAD FREE

SHAPES AND DIMENSIONS

UNIT : mm





Axial Leaded Inductors - AL0612 SERIES



SPECIFICATION TABLE

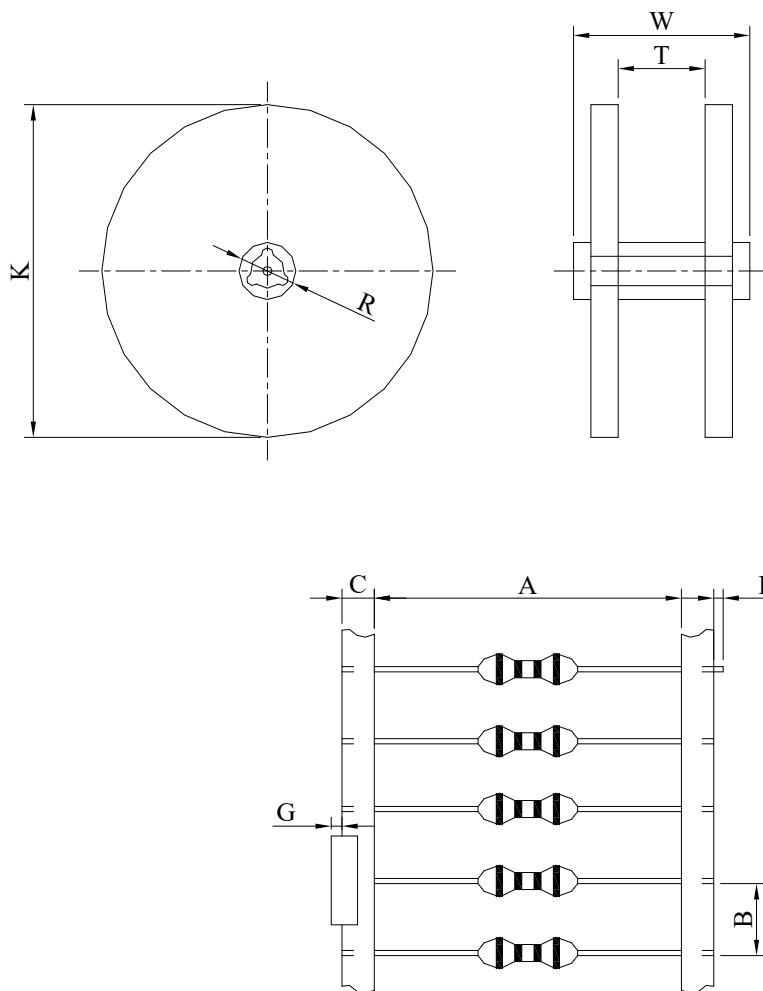
PART NUMBER	INDUCTANCE (mH) (L)	Q (min)	DCR (Ω) (max)	IDC (mA) (max)	SRF (MHz) (Min.)
AL0612-470K-LF	0.047 \pm 10%	40	0.41	900	7.00
AL0612-101K-LF	0.10 \pm 10%	40	0.70	760	5.20
AL0612-471K-LF	0.47 \pm 10%	40	2.50	280	2.00
AL0612-501K-LF	0.50 \pm 10%	25	3.50	250	2.00
AL0612-561K-LF	0.56 \pm 10%	30	5.00	300	1.80
AL0612-102K-LF	1.00 \pm 10%	40	5.00	180	1.00
AL0612-152K-LF	1.50 \pm 10%	35	6.00	80	0.80
AL0612-222K-LF	2.20 \pm 10%	25	10.0	100	0.60
AL0612-332K-LF	3.30 \pm 10%	20	20.0	100	0.40
AL0612-103K-LF	10.0 \pm 10%	50	35.0	110	0.35
AL0612-104K-LF	100.0 \pm 10%		400.0		



Axial Leaded Inductors - AL0612 SERIES



PACKAGING SPECIFICATION



SERIES	STAYLE	Q'TY (PCS)	DIMENSIONS (m/m)								
			K	T	W	R	A	B	C	F ⁺⁰	G
AL0612		500	355	66	72	17.5	52±1.0	5±0.5	6±1.0	0.8	1.0