



Axial Leaded Inductors - AL0510 SERIES

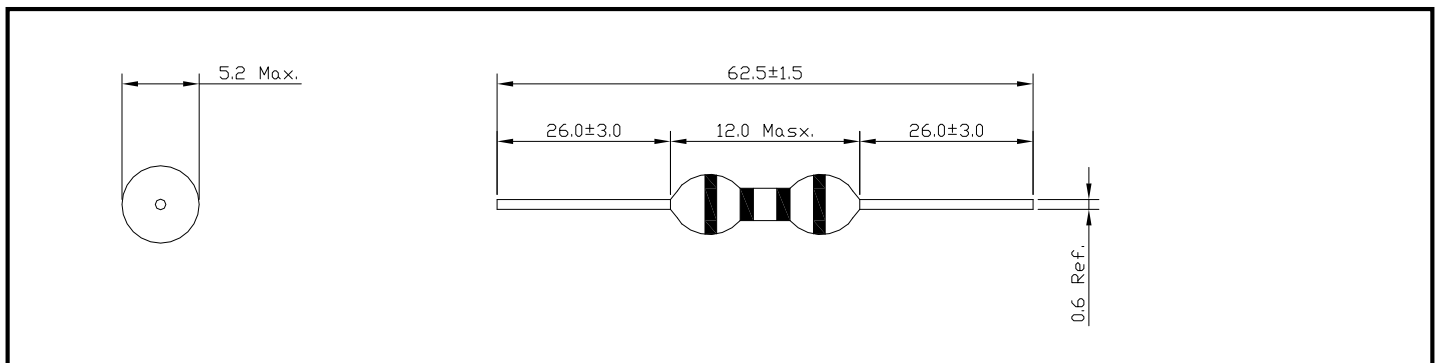


PART NUMBERING SYSTEM

AL	0510	—	103K	—	LF
TYPE	DIMENSIONS		INDUCTANCE		LEAD FREE

SHAPES AND DIMENSIONS

UNIT : mm





Axial Leaded Inductors - AL0510 SERIES



SPECIFICATION TABLE

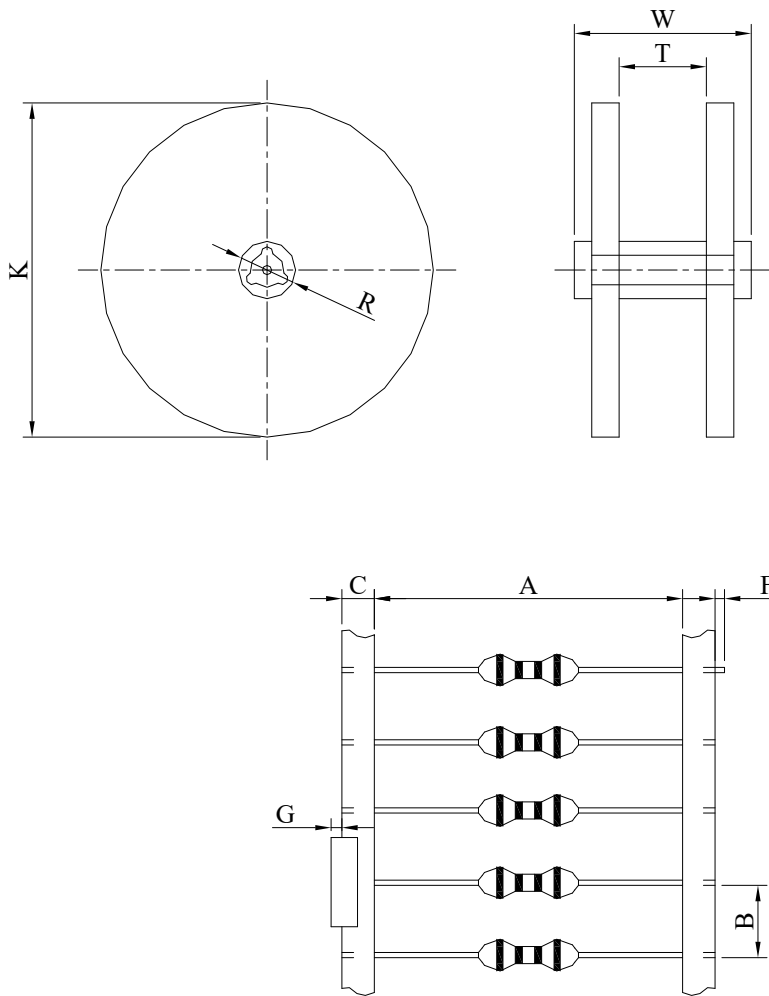
PART NUMBER	INDUCTANCE (mH)(L)	Q (min)	DCR (Ω) (max)	IDC (mA) (max)	F (KHz) For "L"	F (KHz) For "Q"
AL0510-122K-LF	1.20±10%	60	14.50	120	1.0	252
AL0510-152K-LF	1.50±10%	60	16.50	120	1.0	252
AL0510-182K-LF	1.80±10%	60	19.00	120	1.0	252
AL0510-222K-LF	2.20±10%	60	27.50	120	1.0	252
AL0510-272K-LF	2.70±10%	60	40.00	60	1.0	252
AL0510-332K-LF	3.30±10%	50	50.00	60	1.0	252
AL0510-392K-LF	3.90±10%	50	53.00	60	1.0	252
AL0510-472K-LF	4.70±10%	50	60.00	60	1.0	252
AL0510-562K-LF	5.60±10%	50	64.00	60	1.0	252
AL0510-682K-LF	6.80±10%	50	73.00	60	1.0	252
AL0510-822K-LF	8.20±10%	30	80.00	60	1.0	252
AL0510-103K-LF	10.00±10%	25	132.00	30	1.0	79.6
AL0510-123K-LF	12.00±10%	25	143.00	30	1.0	79.6
AL0510-153K-LF	15.00±10%	25	166.00	30	1.0	79.6
AL0510-183K-LF	18.00±10%	25	185.00	30	1.0	79.6
AL0510-223K-LF	22.00±10%	20	330.00	15	1.0	79.6
AL0510-273K-LF	27.00±10%	20	370.00	15	1.0	79.6
AL0510-303K-LF	30.00±10%	20	390.00	15	1.0	79.6
AL0510-333K-LF	33.00±10%	20	426.00	15	1.0	79.6
AL0510-393K-LF	39.00±10%	20	473.00	15	1.0	79.6



Axial Leaded Inductors - AL0510 SERIES



PACKAGING SPECIFICATION



SERIES	STAYLE	Q'TY (PCS)	DIMENSIONS (m/m)								
			K	T	W	R	A	B	C	F ⁺⁰	G
AL0510		5000	355	66	72	17.5	52±1.0	5±0.5	6±1.0	0.8	1.0