



Axial Leaded Inductors - AL0512 SERIES

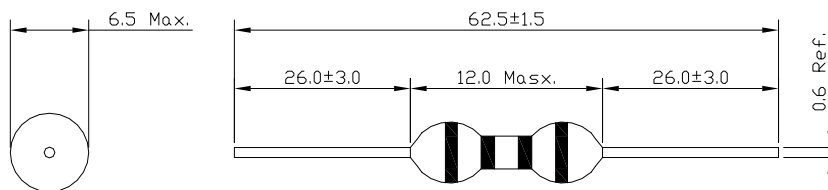


PART NUMBERING SYSTEM

AL	0512	—	472K	—	LF
TYPE	DIMENSIONS		INDUCTANCE		LEAD FREE

SHAPES AND DIMENSIONS

UNIT : mm





Axial Leaded Inductors - AL0512 SERIES



SPECIFICATION TABLE

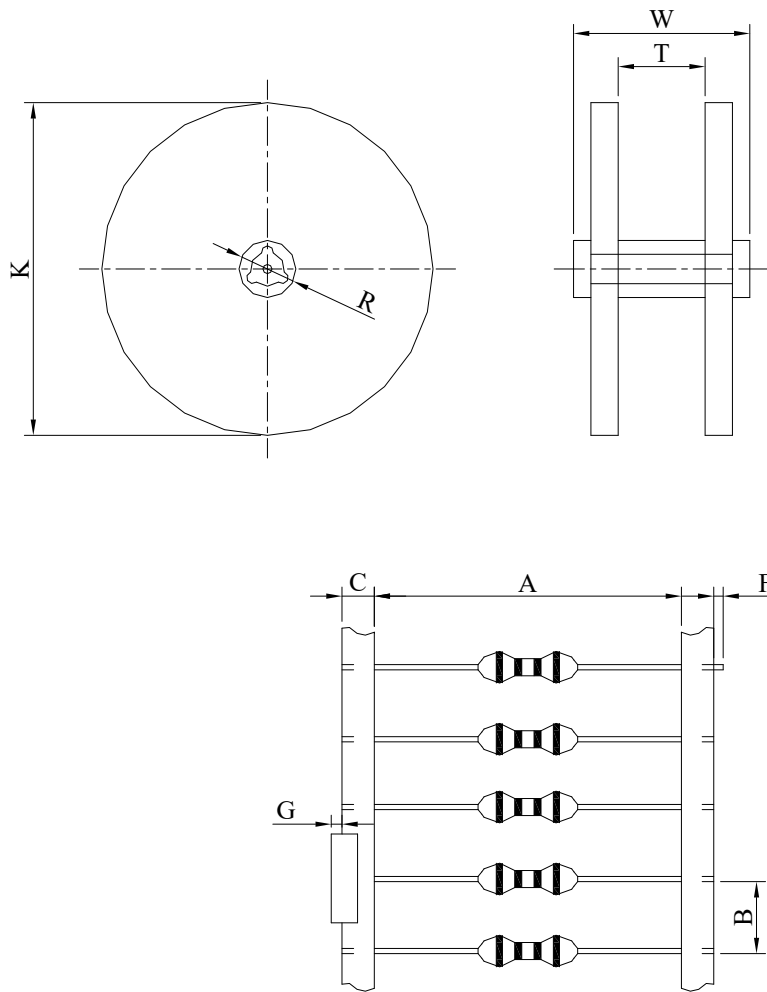
PART NUMBER	INDUCTANCE (mH)(L)	Q (min)	DCR (Ω) (max)	IDC (mA) (max)	F (KHz) For "L"	F (KHz) For "Q"
AL0512-122K-LF	1.2 \pm 10%	80	9	110	1.0	252
AL0512-152K-LF	1.5 \pm 10%	80	10	100	1.0	252
AL0512-182K-LF	1.8 \pm 10%	80	11	90	1.0	252
AL0512-222K-LF	2.2 \pm 10%	80	14	80	1.0	252
AL0512-272K-LF	2.7 \pm 10%	80	18	75	1.0	252
AL0512-332K-LF	3.3 \pm 10%	80	22	65	1.0	252
AL0512-392K-LF	3.9 \pm 10%	80	26	60	1.0	252
AL0512-472K-LF	4.7 \pm 10%	80	30	55	1.0	252
AL0512-562K-LF	5.6 \pm 10%	70	34	50	1.0	252
AL0512-682K-LF	6.8 \pm 10%	70	45	45	1.0	252
AL0512-822K-LF	8.2 \pm 10%	50	60	40	1.0	252
AL0512-103K-LF	10 \pm 10%	50	70	38	1.0	79.6
AL0512-123K-LF	12 \pm 10%	50	82	35	1.0	79.6
AL0512-153K-LF	15 \pm 10%	50	89	32	1.0	79.6
AL0512-183K-LF	18 \pm 10%	40	140	28	1.0	79.6
AL0512-223K-LF	22 \pm 10%	40	170	25	1.0	79.6
AL0512-253K-LF	25 \pm 10%	40	185	24	1.0	79.6
AL0512-273K-LF	27 \pm 10%	40	210	23	1.0	79.6
AL0512-303K-LF	30 \pm 10%	40	240	22	1.0	79.6
AL0512-333K-LF	33 \pm 10%	40	250	20	1.0	79.6



Axial Leaded Inductors - AL0512 SERIES



PACKAGING SPECIFICATION



SERIES	STAYLE	Q'TY (PCS)	DIMENSIONS (m/m)								
			K	T	W	R	A	B	C	F ⁺⁰	G
AL0512		5000	355	66	72	17.5	52±1.0	5±0.5	6±1.0	0.8	1.0