

## Axial Power Inductors - AS0610U SERIES



### PART NUMBERING SYSTEM

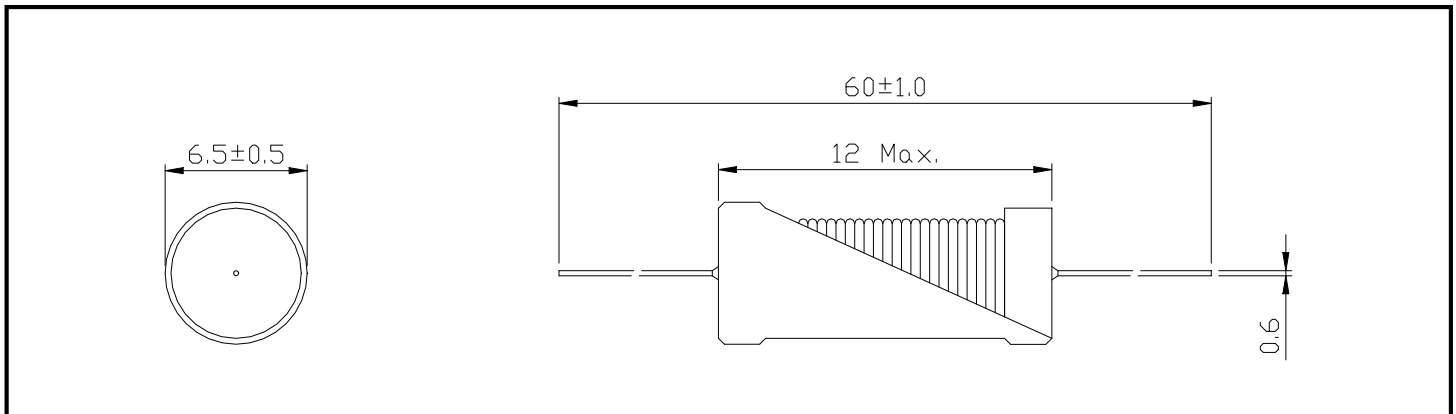
<b>AS</b>	<b>0610U</b>	—	<b>100K</b>	—	<b>LF</b>
TYPE	DIMENSIONS		INDUCTANCE		LEAD FREE

**U : UL Tube**

**P : PVC Tube**

### SHAPES AND DIMENSIONS

UNIT : mm



### STRUCTURAL DIAGRAM :

COMPONENT	MATERIALS
1.Core	Ferrite core
2.Wire	Polyurethane enameled copper wires
3.Lead wire	Tinned copper wires
4.Tube	Heat shrinkable tube, PVC or UL
5.Glue	Epoxy resin



## Axial Power Inductors - AS0610U SERIES



### SPECIFICATION TABLE

PART NUMBER	INDUCTANCE ( $\mu$ H)	Q (min)	DCR ( $\Omega$ ) (max)	IDC (mA) (max)	SRF(MHz) (min)	TEST FREQ. (Freq.)
AS0610-1R0M-LF	1.0	100	0.02	2500	98	7.96MHz
AS0610-1R2M-LF	1.2	100	0.02	2500	90	7.96MHz
AS0610-1R5M-LF	1.5	100	0.02	2500	78	7.96MHz
AS0610-1R8M-LF	1.8	100	0.02	2500	74	7.96MHz
AS0610-2R2M-LF	2.2	100	0.02	2500	59	7.96MHz
AS0610-2R7M-LF	2.7	100	0.02	2500	46	7.96MHz
AS0610-3R3M-LF	3.3	100	0.02	2500	38	7.96MHz
AS0610-3R9M-LF	3.9	90	0.03	2400	28	7.96MHz
AS0610-4R7M-LF	4.7	90	0.04	2100	30	7.96MHz
AS0610-5R6M-LF	5.6	90	0.04	1800	26	7.96MHz
AS0610-6R8M-LF	6.8	90	0.05	1700	25	7.96MHz
AS0610-8R2M-LF	8.2	80	0.05	1500	23	7.96MHz
AS0610-100K-LF	10	80	0.07	1400	19	2.52MHz
AS0610-120K-LF	12	80	0.08	1200	17	2.52MHz
AS0610-150K-LF	15	80	0.09	1100	15	2.52MHz
AS0610-180K-LF	18	80	0.11	1000	13	2.52MHz
AS0610-220K-LF	22	70	0.13	900	13	2.52MHz
AS0610-270K-LF	27	65	0.14	800	11	2.52MHz
AS0610-330K-LF	33	60	0.16	700	10	2.52MHz
AS0610-390K-LF	39	60	0.18	700	9.6	2.52MHz
AS0610-470K-LF	47	60	0.22	600	8.8	2.52MHz
AS0610-560K-LF	56	50	0.25	600	7.6	2.52MHz
AS0610-680K-LF	68	40	0.28	500	7.5	2.52MHz
AS0610-820K-LF	82	35	0.32	500	6.4	2.52MHz
AS0610-101K-LF	100	35	0.42	400	5.8	796KHz
AS0610-121K-LF	120	30	0.47	300	5.1	796KHz
AS0610-151K-LF	150	30	0.58	300	4.9	796KHz
AS0610-181K-LF	180	25	0.62	300	4.4	796KHz



## Axial Power Inductors - AS0610U SERIES



### SPECIFICATION TABLE

PART NUMBER	INDUCTANCE ( $\mu$ H)	Q (min)	DCR ( $\Omega$ ) (max)	IDC (mA) (max)	SRF(MHz) (min)	TEST FREQ. (Freq.)
AS0610-221K-LF	220	25	0.89	260	3.8	796KHz
AS0610-271K-LF	270	25	1.1	230	3.4	796KHz
AS0610-331K-LF	330	25	1.2	210	3.1	796KHz
AS0610-391K-LF	390	30	1.4	180	3.0	796KHz
AS0610-471K-LF	470	30	1.5	170	2.8	796KHz
AS0610-561K-LF	560	30	1.8	150	2.3	796KHz
AS0610-681K-LF	680	30	1.9	140	2.1	796KHz
AS0610-821K-LF	820	30	2.3	120	1.8	796KHz
AS0610-102K-LF	1000	70	2.8	100	1.6	252KHz
AS0610-122K-LF	1200	65	3.1	90	1.4	252KHz
AS0610-152K-LF	1500	60	3.6	80	1.3	252KHz
AS0610-182K-LF	1800	80	5.6	70	1.3	252KHz
AS0610-222K-LF	2200	80	6.3	70	1.2	252KHz
AS0610-272K-LF	2700	80	7.3	60	1.1	252KHz
AS0610-332K-LF	3300	90	10	50	0.8	252KHz
AS0610-392K-LF	3900	90	12	50	0.8	252KHz
AS0610-472K-LF	4700	90	13	40	0.8	252KHz
AS0610-562K-LF	5600	80	15	40	0.7	252KHz
AS0610-682K-LF	6800	70	17	40	0.7	252KHz
AS0610-822K-LF	8200	60	19	35	0.6	252KHz
AS0610-103K-LF	10000	80	27	35	0.5	79.6KHz
AS0610-123K-LF	12000	80	35	35	0.5	79.6KHz
AS0610-153K-LF	15000	80	48	30	0.4	79.6KHz
AS0610-183K-LF	18000	80	65	30	0.3	79.6KHz
AS0610-223K-LF	22000	80	69	25	0.3	79.6KHz
AS0610-273K-LF	27000	80	84	25	0.3	79.6KHz
AS0610-333K-LF	33000	75	99	25	0.2	79.6KHz
AS0610-393K-LF	39000	75	108	25	0.2	79.6KHz
AS0610-473K-LF	47000	75	120	20	0.2	79.6KHz