



SDO1606 SERIES ~ SMD Power Inductors

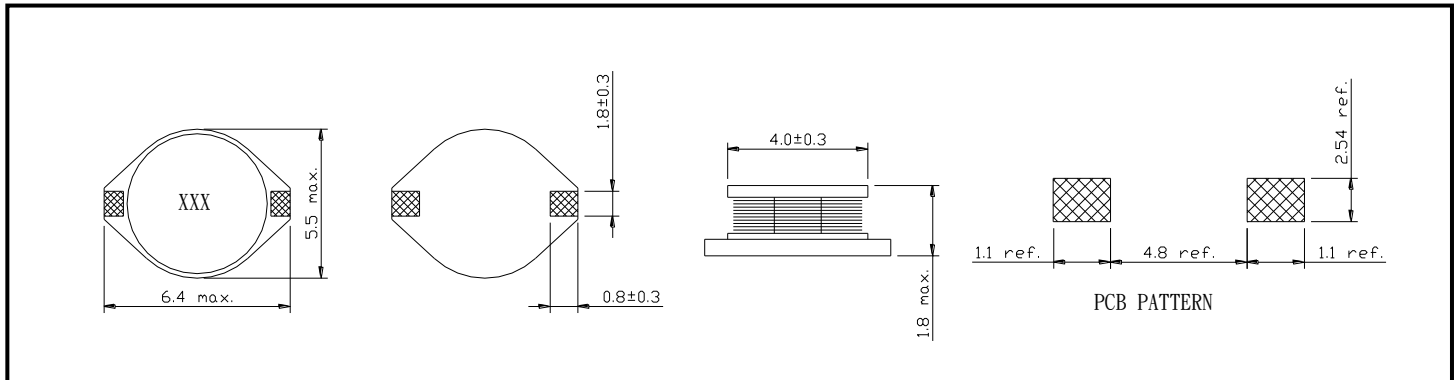


PART NUMBERING SYSTEM

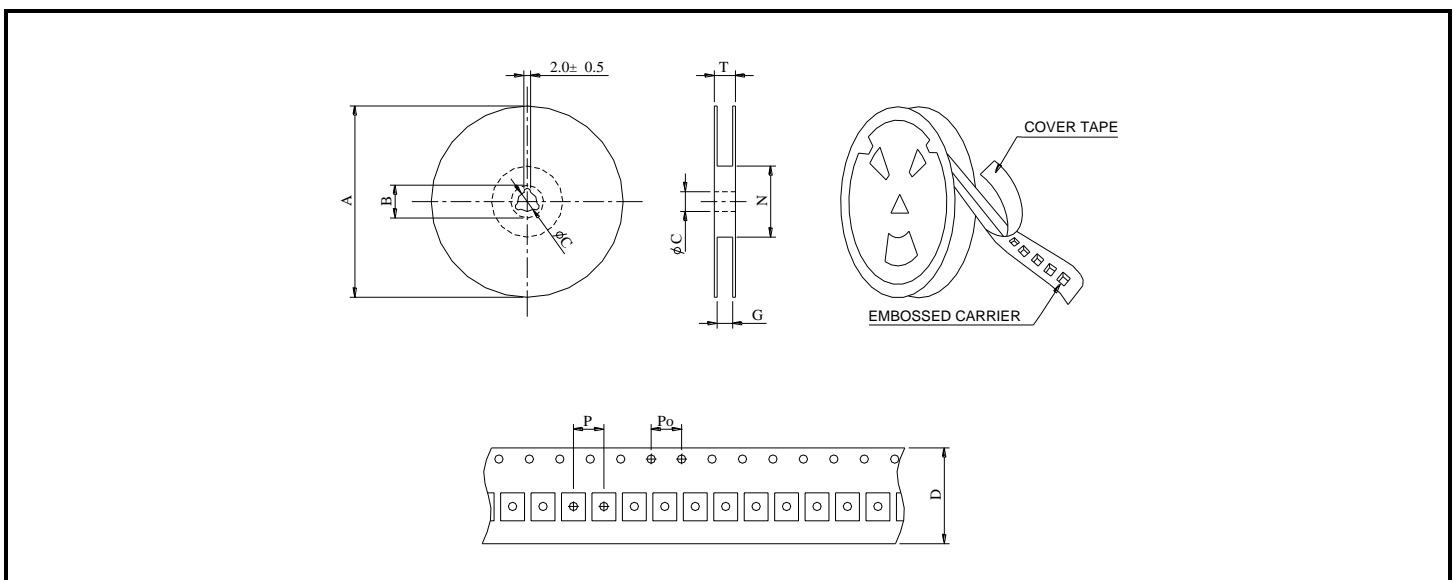
SDO	1606	—	1R0M	—	LF
TYPE	DIMENSIONS		INDUCTANCE		LEAD FREE

SHAPES AND DIMENSIONS

UNIT : mm



PACKAGING SPECIFICATION



SERIES	STAYLE	Q'TY (PCS)	DIMENSIONS (m/m)								
			A	B±0.8	C±0.5	D	G ⁺⁰	N ⁰	P	Po	T
SDO1606	13-16	3000	330	21	13	16	18	50	8	4	22.4



SDO1606 SERIES ~ SMD Power Inductors



SPECIFICATION TABLE

PART NUMBER	INDUCTANCE (μ H)	DCR(Ω) (Max.)	Isat (A) (Max.)	Irms (A) (Max.)	SRF(MHz) (Ref.)
SDO1606-1R0M-LF	1.0 \pm 20%	0.04	2.50	2.30	230
SDO1606-1R5M-LF	1.5 \pm 20%	0.06	2.20	2.10	180
SDO1606-2R2M-LF	2.2 \pm 20%	0.07	1.80	1.70	140
SDO1606-3R3M-LF	3.3 \pm 20%	0.12	1.40	1.30	110
SDO1606-4R7M-LF	4.7 \pm 20%	0.15	1.20	1.10	100
SDO1606-6R8M-LF	6.8 \pm 20%	0.20	1.10	1.00	80
SDO1606-8R2M-LF	8.2 \pm 20%	0.23	1.00	0.95	70
SDO1606-100M-LF	10 \pm 20%	0.30	1.00	0.90	60
SDO1606-150M-LF	15 \pm 20%	0.40	0.80	0.70	45
SDO1606-220M-LF	22 \pm 20%	0.54	0.60	0.50	35
SDO1606-330M-LF	33 \pm 20%	0.74	0.50	0.45	30
SDO1606-470M-LF	47 \pm 20%	1.10	0.45	0.40	22
SDO1606-680M-LF	68 \pm 20%	1.60	0.35	0.35	20
SDO1606-101M-LF	100 \pm 20%	2.30	0.30	0.30	15
SDO1606-151M-LF	150 \pm 20%	3.50	0.25	0.25	10
SDO1606-221M-LF	220 \pm 20%	5.70	0.20	0.18	9
SDO1606-331M-LF	330 \pm 20%	8.20	0.16	0.16	8
SDO1606-471M-LF	470 \pm 20%	10.8	0.14	0.12	7
SDO1606-681M-LF	680 \pm 20%	17.2	0.12	0.10	5
SDO1606-102M-LF	1000 \pm 20%	22.6	0.08	0.08	4

1. Inductance is measured with a LCR meter 4284A or equivalent.
2. Inductance drop=10% typ. at rated current.
3. Operating temperature range -40°C to +125°C
4. Electrical specifications at 25°C