

Through Hole Power Chokes - RDR664 SERIES

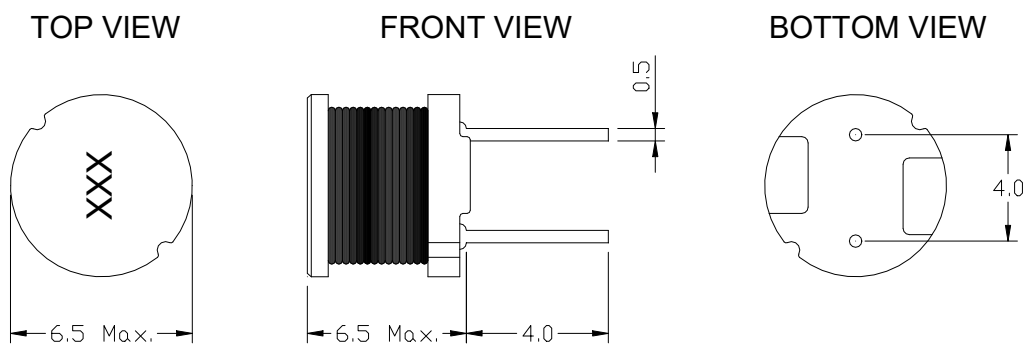


PART NUMBERING SYSTEM

RDR	664	—	470K	—	LF
TYPE	DIMENSIONS		INDUCTANCE		LEAD FREE

SHAPES AND DIMENSIONS

UNIT : mm



FEATURES

- **Low cost, high efficiency** option for choke applications
- Inductance values from **1.0 to 1,000uH** .
- Current ratings **up to 4.0 Amps**
- Industry standard **4 mm lead spacing**
- **RoHS-compliant.**



Through Hole Power Chokes - RDR664 SERIES



SPECIFICATION TABLE

PART NUMBER	INDUCTANCE (μ H)	DCR (Ω) (Max.)	IDC (A) (Max.)	TEST FREQ. (Freq.)
RDR664-1R0M-LF	1.0 \pm 20%	0.0183	4.00	7.96MHz
RDR664-1R3M-LF	1.3 \pm 20%	0.0206	3.70	7.96MHz
RDR664-1R7M-LF	1.7 \pm 20%	0.0228	3.52	7.96MHz
RDR664-2R2M-LF	2.2 \pm 20%	0.0255	3.20	7.96MHz
RDR664-2R7M-LF	2.7 \pm 20%	0.0282	3.00	7.96MHz
RDR664-3R3M-LF	3.3 \pm 20%	0.0308	2.83	7.96MHz
RDR664-3R9M-LF	3.9 \pm 20%	0.0334	2.63	7.96MHz
RDR664-4R7M-LF	4.7 \pm 20%	0.0364	2.43	7.96MHz
RDR664-5R5M-LF	5.5 \pm 20%	0.0395	2.30	7.96MHz
RDR664-6R3M-LF	6.3 \pm 20%	0.0430	2.14	7.96MHz
RDR664-7R2M-LF	7.2 \pm 20%	0.0462	2.09	7.96MHz
RDR664-8R1M-LF	8.1 \pm 20%	0.0498	1.99	7.96MHz
RDR664-9R1M-LF	9.1 \pm 20%	0.0532	1.86	7.96MHz
RDR664-100M-LF	10 \pm 20%	0.0566	1.75	7.96MHz
RDR664-110L-LF	11 \pm 15%	0.0596	1.64	2.52MHz
RDR664-120L-LF	12 \pm 15%	0.0630	1.52	2.52MHz
RDR664-130L-LF	13 \pm 15%	0.0667	1.48	2.52MHz
RDR664-140L-LF	14 \pm 15%	0.0701	1.44	2.52MHz
RDR664-150L-LF	15 \pm 15%	0.0744	1.40	2.52MHz
RDR664-160L-LF	16 \pm 15%	0.0788	1.33	2.52MHz
RDR664-180L-LF	18 \pm 15%	0.0839	1.30	2.52MHz
RDR664-220K-LF	22 \pm 10%	0.11	1.27	2.52MHz
RDR664-270K-LF	27 \pm 10%	0.14	1.14	2.52MHz
RDR664-330K-LF	33 \pm 10%	0.17	1.03	2.52MHz
RDR664-390K-LF	39 \pm 10%	0.19	0.95	2.52MHz
RDR664-470K-LF	47 \pm 10%	0.23	0.87	2.52MHz
RDR664-560K-LF	56 \pm 10%	0.26	0.80	2.52MHz
RDR664-680K-LF	68 \pm 10%	0.28	0.72	2.52MHz
RDR664-820K-LF	82 \pm 10%	0.39	0.66	2.52MHz
RDR664-101K-LF	100 \pm 10%	0.43	0.59	1KHz
RDR664-121K-LF	120 \pm 10%	0.54	0.54	1KHz
RDR664-151K-LF	150 \pm 10%	0.64	0.48	1KHz
RDR664-181K-LF	180 \pm 10%	0.74	0.44	1KHz
RDR664-221K-LF	220 \pm 10%	0.96	0.40	1KHz
RDR664-271K-LF	270 \pm 10%	1.12	0.36	1KHz
RDR664-331K-LF	330 \pm 10%	1.48	0.33	1KHz
RDR664-391K-LF	390 \pm 10%	1.66	0.30	1KHz
RDR664-471K-LG	470 \pm 10%	1.91	0.27	1KHz
RDR664-561K-LF	560 \pm 10%	2.31	0.25	1KHz
RDR664-681K-LF	680 \pm 10%	2.67	0.23	1KHz
RDR664-821K-LF	820 \pm 10%	3.10	0.21	1KHz
RDR664-102K-LF	1000 \pm 10%	4.45	0.19	1KHz

Operating temperature range -40°C to +125°C