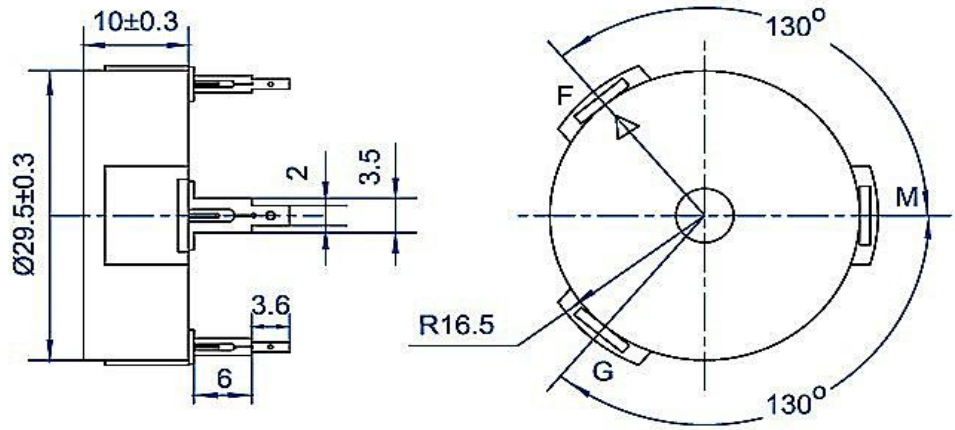
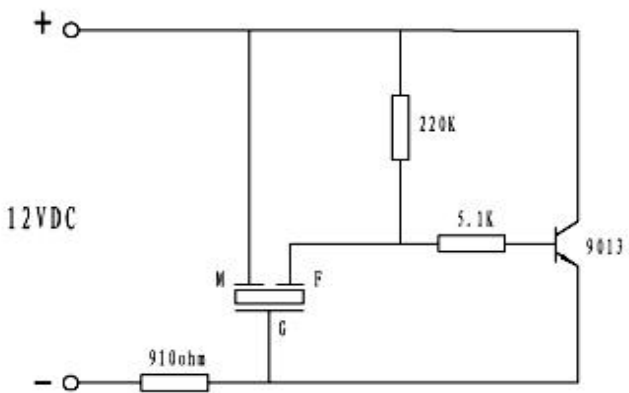
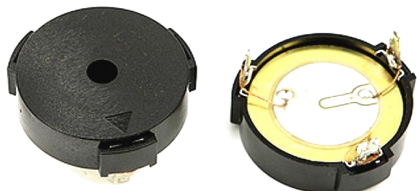



| SPECIFICATION | | |
|---------------|-----------------------------|----------------------|
| 1 | Model No. | EPF3010C-HO-12-3.0-R |
| 2 | Rated Voltage (VDC) | 12 |
| 3 | Max Input Voltage (VDC) | 3~20 |
| 4 | *Sound Output at 30cm (dB) | ≥85 |
| 5 | *Oscillating frequency (Hz) | 3000±500 |
| 6 | *Current Consumption (mA) | ≤15 |
| 7 | Operating Temperature (°C) | -20~+70 |
| 8 | Storage Temperature (°C) | -30~+70 |
| 9 | Weight (g) | 5 |
| 10 | Housing Material | PPO |
| 11 | RoHS | Yes |

THIS DOCUMENT CONTAINS DATE PROPRIETARY TO PROJECTS CHANGZHOU ESUNTECH CO LTD. ANY USE OR REPRODUCTION, IN ANY FORM, WITHOUT PRIOR WRITTEN PERMISSION OF PROJECTS CHANGZHOU ESUNTECH CO LTD IS PROHIBITED.
©2003, Project Changzhou Esuntech Co Ltd

| REVISION HISTORY | | | |
|------------------|---------------------------|-----------|----------|
| LTR | DESCRIPTION | DATE | APPROVED |
| - | RELEASED FROM ENGINEERING | 9/23/2003 | Y M |
| A | | | |
| B | | | |
| C | | | |



NOTES:
1. ALL DIMENSIONS ARE IN MILLIMETERS
2. SPECIFICATIONS SUBJECT TO CHANGE WITHOUT NOTICE

| SIZE | Designed by | Date | Checked by | Date | Approved by | Date | Drawed date |
|------|-------------|--|------------|------|----------------------|-------|-------------|
| | A4 |  Changzhou Esuntech Co.,Ltd http://www.esuntech.com.cn | | | EPF3010C-HO-12-3.0-R | | |
| | BUZZER | | | | Edition | Sheet | |