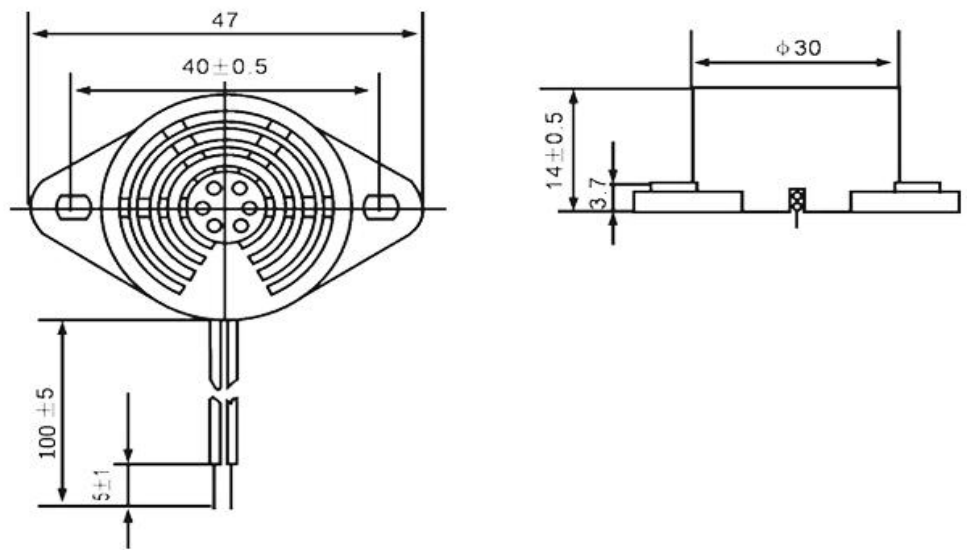
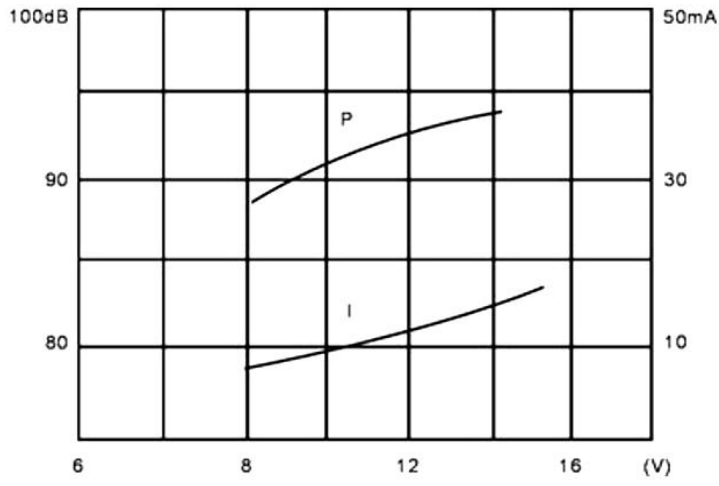



SPECIFICATION		
1	Model No.	EBP3015DW100-120-TA-12-3.0-R
2	Rated Voltage:	12V _{DC}
3	Operating Voltage:	3~24V _{DC}
4	Rated Current :	≤12mA
5	Sound Output at 30cm:	≥95dB
6	Resonant Frequency:	3000±500 HZ
7	Tone:	Continuous
8	Operating Temperature:	-20~+65℃
9	Storage Temperature:	-30~+70℃
10	Weight:	7g
11	Housing Material :	ABS
12	RoHS:	Yes

THIS DOCUMENT CONTAINS DATE PROPRIETARY TO PROJECTS CHANGZHOU ESUNTECH CO LTD. ANY USE OR REPRODUCTION, IN ANY FORM, WITHOUT PRIOR WRITTEN PERMISSION OF PROJECTS CHANGZHOU ESUNTECH CO LTD IS PROHIBITED.
©2003, Project Changzhou Esuntech Co Ltd

REVISION HISTORY			
LTR	DESCRIPTION	DATE	APPROVED
-	RELEASED FROM ENGINEERING	9/23/2003	Y M
A			
B			
C			



NOTES:
 1. ALL DIMENSIONS ARE IN MILLIMETERS
 2. SPECIFICATIONS SUBJECT TO CHANGE WITHOUT NOTICE
 3. THE COLOR OF THE BUZZER CAN BE BLACK OR WHITE

UNLESS OTHERWISE SPECIFIED, DIMENSIONS ARE IN MILLIMETERS TOLERANCES ARE ±0.5 AND ANGLES ARE ±3°	SIZE	Designed by	Date	Checked by	Date	Approved by	Date	Drawn date
	A4	 Changzhou Esuntech Co., Ltd http://www.esuntech.com.cn			EBP3015DW100-120-TA-12-3.0-R			
	15DW100-120-TA-1				Buzzer	Edition	Sheet	