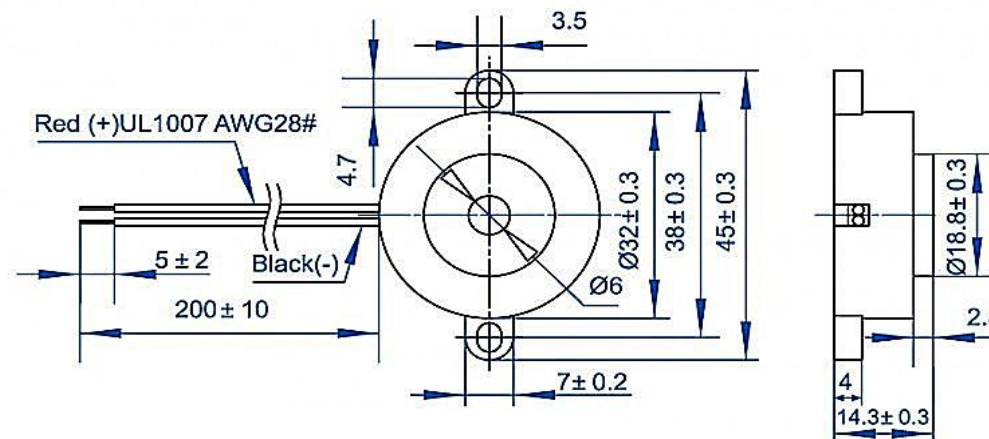
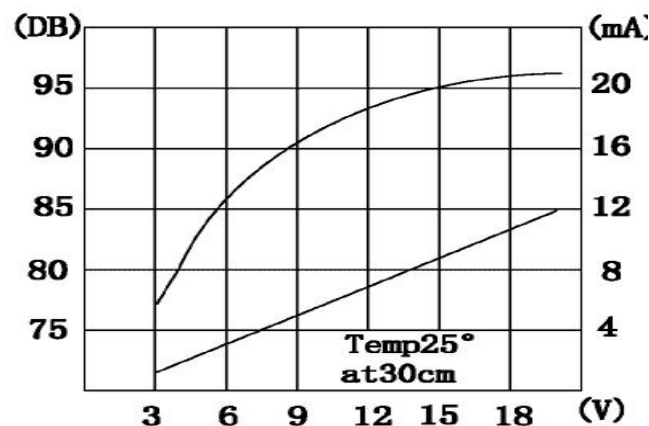


| SPECIFICATION | | |
|---------------|-----------------------------|-------------------------------|
| 1 | Model No. | EPB3215SW1005 -TA-12-3.9-R |
| 2 | Rated Voltage (VDC) | 12 |
| 3 | Operating Voltage (VDC) | 3~20 |
| 4 | *Rated Current (mA) | ≤12 |
| 5 | *Sound Output at 30 cm (dB) | ≥95 |
| 6 | *Resonant Frequency (Hz) | 3900±500 |
| 7 | Tone | Continuous |
| 8 | Operating Temperature (°C) | -20 ~ +65 |
| 9 | Storage Temperature (°C) | -30 ~ +75 |
| 10 | Weight (g) | 8 |
| 11 | Housing Material | ABS |
| 12 | RoHS | Yes |


THIS DOCUMENT CONTAINS DATE
 PROPRIETARY TO PROJECTS CHANGZHOU ESUNTECH
 CO LTD. ANY USE OR REPRODUCTION, IN ANY FORM,
 WITHOUT PRIOR WRITTEN PERMISSION OF
 PROJECTS CHANGZHOU ESUNTECH CO LTD
 IS PROHIBITED.
 ©2003, Project Changzhou Esuntech Co Ltd

| REVISION HISTORY | | | |
|------------------|---------------------------|-----------|----------|
| LTR | DESCRIPTION | DATE | APPROVED |
| - | RELEASED FROM ENGINEERING | 9/23/2003 | Y M |
| A | | | |
| B | | | |
| C | | | |



NOTES:

1. ALL DIMENSIONS ARE IN MILLIMETERS
2. SPECIFICATIONS SUBJECT TO CHANGE WITHOUT NOTICE

| SIZE | Designed by | Date | Checked by | Date | Approved by | Date | Drawed date |
|------|--|------|------------|---------------------------|-------------|---------|-------------|
| A4 |  EST Changzhou Esuntech Co.,Ltd http://www.esuntech.com.cn | | | EPB3215SW1005-TA-12-3.9-R | | | |
| | | | | BUZZER | | Edition | Sheet |