

APPROVAL SHEET



FHD ELECTRONICS CORPORATION

CUSTOMER NAME : _____

COMMODITY : Piezo Transducer

FHD PART NO. : T397140-P1750A-C

CUSTOMER PART NO. : _____

Approved by	Y. J.	Prepared by	HY Shen
-------------	-------	-------------	---------

Customer Approval			
Approved		Rejected	

8104 Lynores Way, Plano, TX 75025

Tel: 469-409-2828 Cell: 408-693-5952

Email: sales@fhdmfg.com Website: www.fhdmfg.com



FHD ELECTRONICS CORPORATION

REVISIONS

PRODUCT PART NO. : T39714-P1750A-C

DATE	REVISER	REV.	DESCRIPTION	REMARK
2019/10/21	HY SHEN	1	Initial edition	

1. Technical Parameter



Features

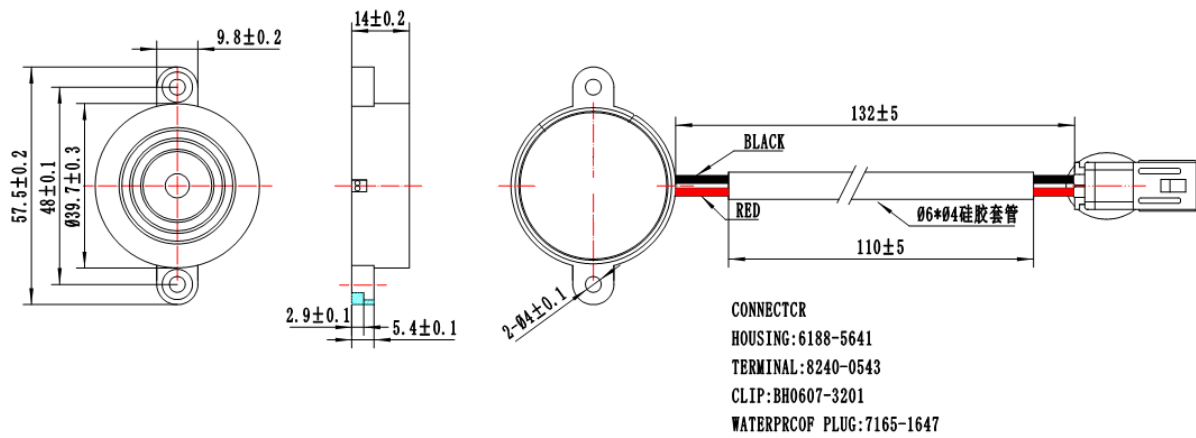
- Siren for Car Liftgate
- Anti-vibration, anti-fog, anti-freeze
- Withstand high voltage, low power consumption, high sound pressure level

Measuring condition

Part shall be measured under a condition (Temperature: 5~35°C, Humidity: 45%~85%R.H., Atmospheric pressure: 860 ~ 1060hPa) unless the standard condition (Temperature: 25±3°C, Humidity: 60±10%R.H. Atmospheric pressure: 860 ~ 1060hPa) is regulated to measure.

1	Resonant Frequency	1750Hz ± 500Hz
2	Operating Voltage	1~25Vp-p
3	Rated Current	Max.25mA , at 1750Hz 50% duty Square Wave 12Vp-p
4	Sound Output at 10cm	Min. 90dB, at 1750Hz 50% duty Square Wave 12Vp-p
5	Operating Temperature	-40°C ~ +85°C
6	Store Temperature	-40°C ~ +85°C
7	Net Weight	Approx 16.5g
8	RoHS	Yes

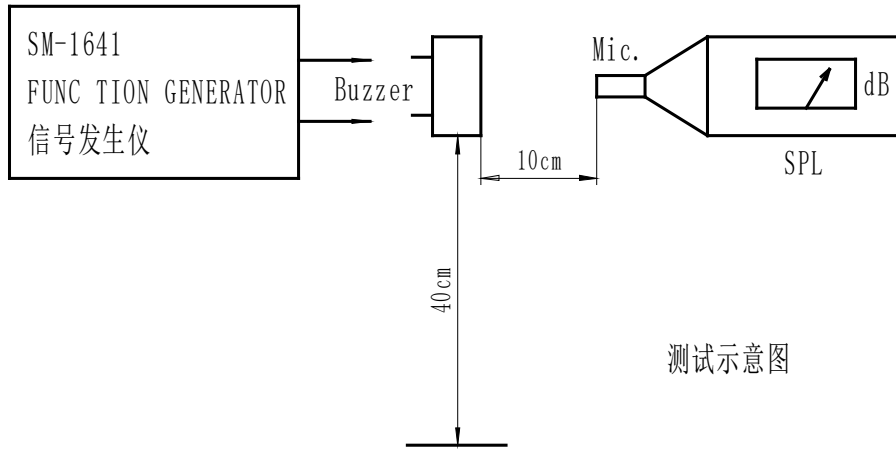
2. Dimensions



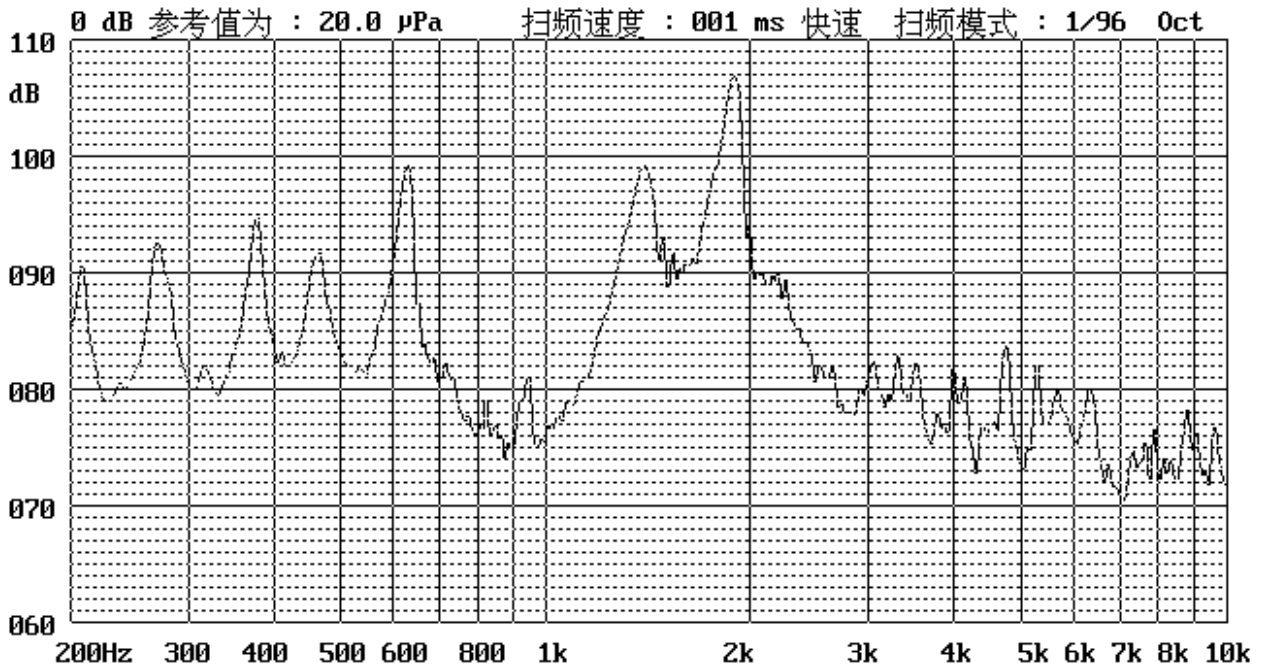
*Housing Material: PPO Lead Wire: UL1007 22# Black & Red

3. Electrical And Acoustical Measuring Condition

Recommended Setting



4. Frequency Response



12Vp 50% duty square wave, 10cm

5. . Packing Information

包装要求	1. 10PCS/扎 40PCS/塑料袋 塑料袋料号：F6-611 2. 内盒 40PCS/盒 料号：F6-051 3. 外箱 8盒 320PCS/箱 料号：F6-007
------	---

6.1 塑料袋，10pcs/扎 40PCS/袋 装好后放入内盒中



6.2 40PCS/盒，装好后如图所示在盒子右上角贴上标签。



6.2 8 盒/箱 320PCS/箱

