

APPROVAL SHEET



FHD ELECTRONICS CORPORATION

CUSTOMER NAME : _____
COMMODITY : PIEZO INDICATOR
FHD PART NO. : I09650-MC2700G-P
CUSTOMER PART NO. : _____

Approved by	Y. J.	Prepared by	HY Shen
-------------	-------	-------------	---------

Customer Approval			
Approved		Rejected	

8104 Lynores Way, Plano, TX 75025
Tel: [469-409-2828](tel:469-409-2828) Cell: 408-693-5952
Email: sales@fhdmfg.com Website: www.fhdmfg.com

A. PART NO.: I09650-MC2700G-P



B. SPECIFICATION

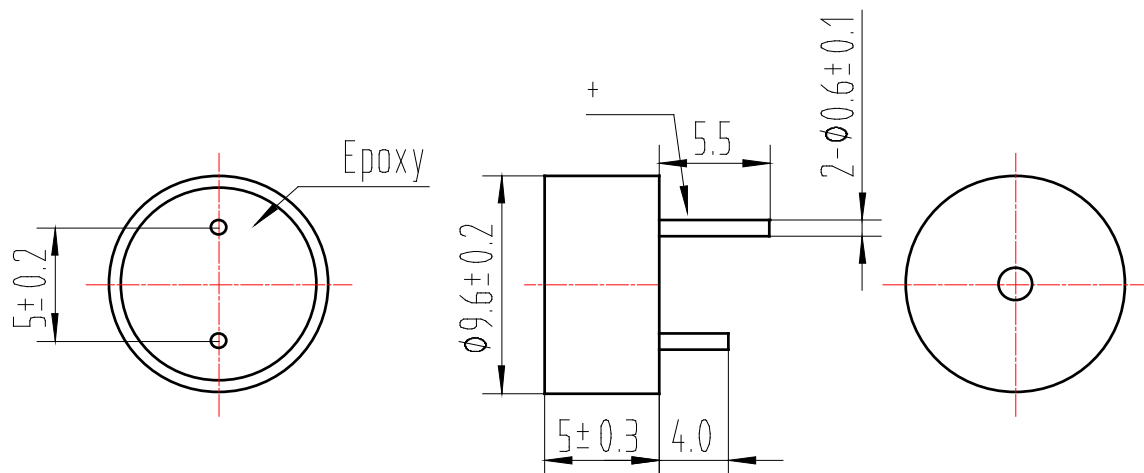
Part shall be measured under a condition (Temperature: 5~35°C, Humidity: 45%~85%R.H.,

Atmospheric pressure: 860 ~1060hPa) unless the standard condition (Temperature: 25±3°C, Humidity:

60±10%R.H. Atmospheric pressure: 860 ~1060hPa) is regulated to measure.

No.	Item	Unit	Specification	Condition
1	Resonant Frequency	Hz	2700 ± 300	square wave
2	Rated Voltage	VDC	5	
3	Operating Voltage	VDC	4 ~ 7	
4	Current Consumption	mA	Max. 30	At 5VDC
5	Sound Output Level	dB	Min. 85	At 5VDC, 10cm
6	Operating Temperature	°C	-20 ~ +70	
7	Storage Temperature	°C	-30 ~ +80	
8	Dimension	mm	Dia. 9.6 ; Height 5.0	See appearance drawing
9	Weight (MAX)	gram	0.7	
10	Housing Material		PBT (Black)	
11	Tone		Continuous	
12	Environmental Protection Regulation		RoHS	

C. APPEARANCE DRAWING



Unit: mm Tolerance: ± 0.5mm Except Specified

D. RELIABILITY TEST

After any following tests the part shall meet specifications without any degradation in appearance and performance except SPL. SPL shall not deviate more than -5dB from the initial value

1. Ordinary Temperature Life Test

The part shall be subjected to 96 hours at $25\pm 10^{\circ}\text{C}$. Input rated voltage

Resonant frequency, 1/2 duty Square wave.

2. High Temperature Test

The part shall be capable of withstanding a storage temperature of $+80^{\circ}\text{C}$ for 96 hours.

3. Low Temperature Test

The part shall be capable of withstanding a storage temperature of -30°C for 96 hours.

4. Humidity Test

Temperature: $+40^{\circ}\text{C} \pm 3^{\circ}\text{C}$ Relative Humidity: 90% ~ 95% Duration: 48 hours and expose to room temperature for 6 hours

5. Temperature Shock Test

Temperature: $70^{\circ}\text{C}/1\text{hour} \rightarrow 25^{\circ}\text{C}/3\text{hours} \rightarrow -30^{\circ}\text{C}/1\text{hour} \rightarrow 25^{\circ}\text{C}/3\text{hours}$ (1 cycle)

Total cycle: 10 cycles

6. Drop Test

Buzzer is packed in a standard Packaging and is dropped from height 75m on a 5cm thick hard wood or board, three sides, six plain.

7. Vibration Test

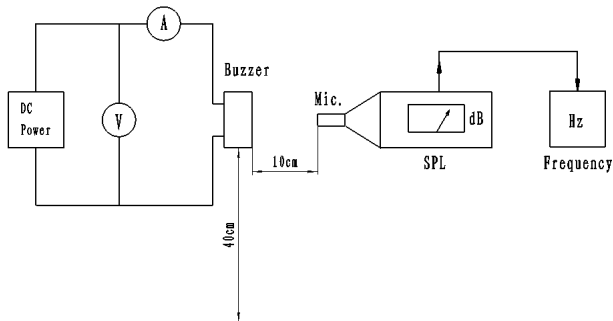
Vibration: 1000cycles /min. Amplitude: 1.5mm, Duration: 1 hour in each 3 axes

Note:

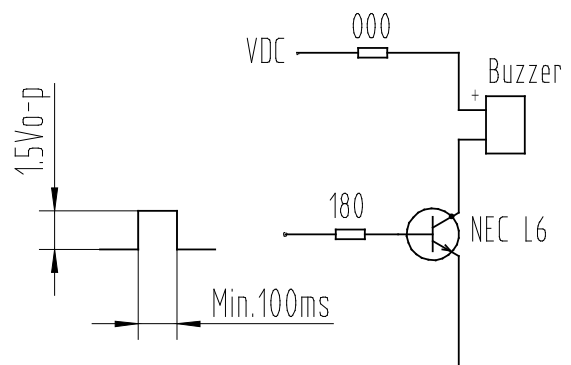
As this product is not protected from foreign material entering, please make sure that any foreign materials (e.g. magnetic powder, washing solvent, flux, corrosive gas) do not enter this product in your production processes. The functional degradation (e.g. SPL down) may occur if foreign material enter it.

E. ELECTRICAL ACOUSTICAL MEASURING CONDITION

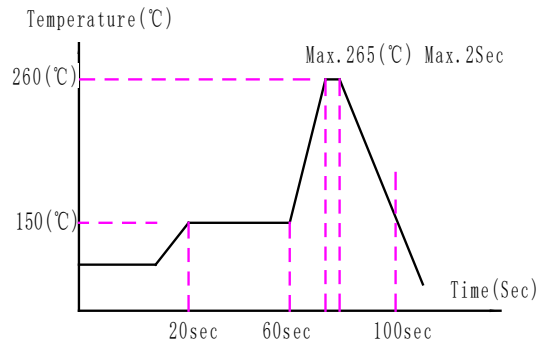
a) Recommended Setting



b) Recommended Test Circuit



F. WAVE SOLDERING TEMPERATURE RECOMMENDATION



G. PACKING INFORMATION

1. PVC 盒包装，100PCS/盒



2. 20 盒/摞 2000PCS/摞 下面垫一个纸板，上面放一个空 PVC 盒后放一个纸板，胶带如图打井字形，套塑料袋，放干燥剂后封袋



3. 封好袋子的产品放入内盒， 四盒/箱
外箱 8000PCS/箱 四盒/箱



	包装名称	包装数量(pcs)	包装尺寸(mm)
1	PVC盒	100	180×180×20
2	一盒	2000	200×200×240
3	箱子	8000	420×420×250