



External-driven Piezo Transducer

TFM-33

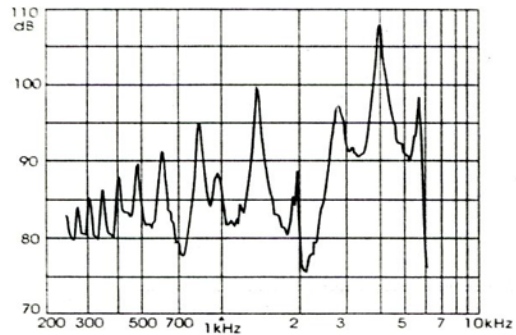
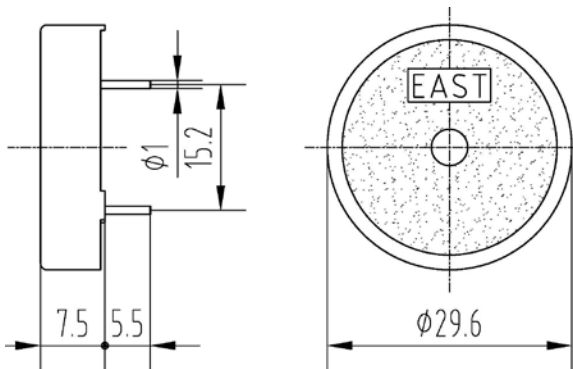
**FEATURES:** □

Rev.2

- Low Frequency
- Low Current Drain
- Light and Compact

APPLICATIONS:

- Automatic Control Equipment
- Communication Equipment
- Electronic Instruments

CHARACTERISTICS:**DIMENSIONS: (Unit: mm)****ELECTRICAL SPECIFICATIONS:**

Min. Sound Pressure Level at

3.0kHz/10V_{p-p} Square Wave/10cm.....90dB(A)

Capacitance at 120Hz.....20nF±30%

Allowable Input Voltage.....30V_{p-p}

Max. Consumption

at 3.0kHz/10V_{p-p} Square Wave..... 3mA

Resonant Frequency..... 3.0±0.5kHz

Operating Temperature..... -20~+70°C

Case Material/Color.....ABS/Black

Weight..... 4.5g

PACKING INFORMATION:*(Packaging might vary without notice)*

Packing: 1800 pcs per export carton

Carton Size: 47×30.5×31cm

G. Weight: 9.6 kgs N. Weight: 8.1 kgs

Address: No. 88. Jinhui. East Road Yinzhou, Ningbo, 315104 P. R. China

Sales Tel: +86-574-87809820(International)/87805605(Domestic)

Fax: +86-574-87803761