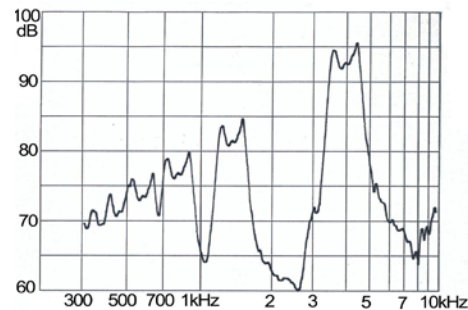
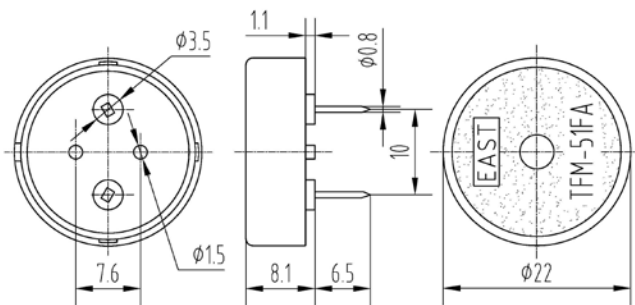


**External-driven Piezo Transducer****TFM-51FA** □□**FEATURES:** □**Rev.3**

- Low Voltage Driven
- Low Current Drain
- Light and Compact

APPLICATIONS:

- Automatic Control Equipment
- Communication Equipment
- Electronic Instruments

DIMENSIONS: (Unit: mm)**CHARACTERISTICS:****ELECTRICAL SPECIFICATIONS :**

Min. Sound Pressure Level at

4.0kHz/3Vp-p Square Wave/10cm 75dB(A)

Capacitance at 1000Hz 24nF±30%

Allowable Input Voltage..... 30Vp-p

Max. Consumption at

4.0kHz/3Vp-p Square Wave 2mA

Resonant Frequency..... 4.0±0.5KHz

Operating Temperature..... -40~+85°C

Case Material/Color..... PA66/Black

Weight..... 2.4g

PACKING INFORMATION:*(Packaging might vary without notice)*

Packing: 2500 pcs per export carton

Carton Size: 47x30.5x36 cm

G. Weight: 7.5 kgs N. Weight: 6.0kgs

Address: No. 88. Jinhui. East Road Yinzhou, Ningbo, 315104 P. R. China

Sales Tel: +86-574-87809820(International)/87805605(Domestic)

Fax: +86-574-87803761