



Model no. : USMT-9045TA

Miniature Audio Transducer (External drive circuitry)

◆ Feature

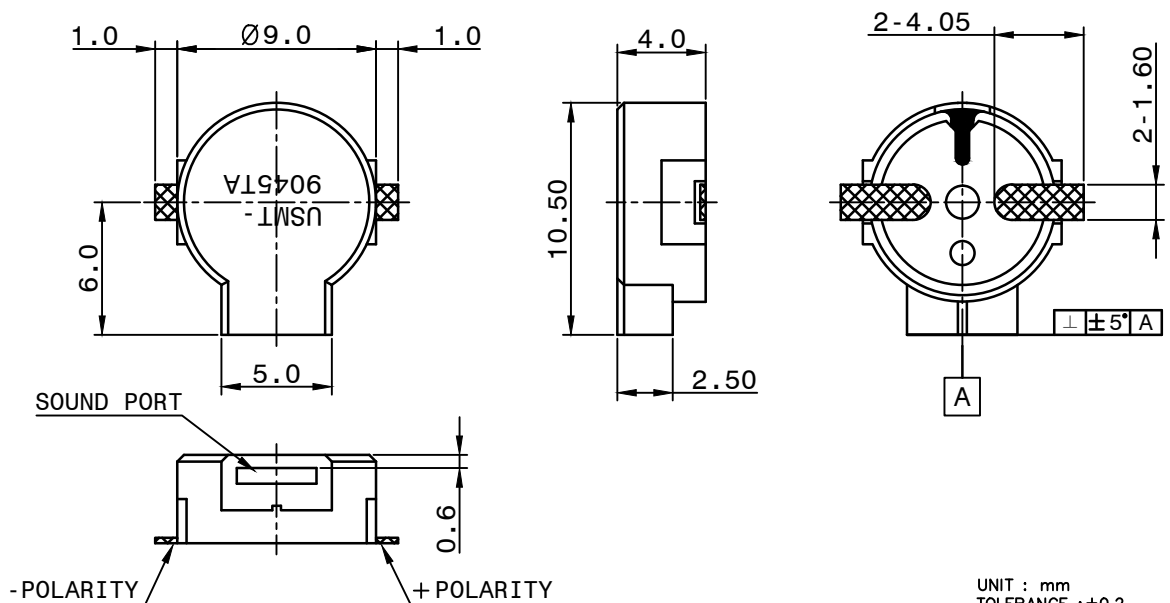
- ◆ Ultra Small ($\varnothing 9 \times h4$)
- ◆ For reflow Process.
- ◆ Side Sound Port.
- ◆ Tape and Reel Packing.
- ◆ RoHS Complants and Lead Free are Applied.

◆ Specifications

Rated Voltage	V p-p	5.0
Operating Voltage	V p-p	4.0~6.0
● Rated Current	mA	Max 70
Coil Resistance	Ω	32 \pm 3
● Sound output at 10cm	dB	Min 87(TYP95)
Resonant Frequency	Hz	2,731
Operating Temperature	°C	-40 ~ +105
Storage Temperature	°C	-40 ~ +105
Weight	g	Max 0.7

● Value Applying Rated Voltage (2,731Hz, 1/2 duty, square wave)

◆ Dimensions



UNIT : mm
TOLERANCE : ± 0.2
CASE MATERIAL : LCP(BLACK)