



Model no. : USP-2505A

Magnetic Audio Transducer (External drive circuitry)

◆ Feature

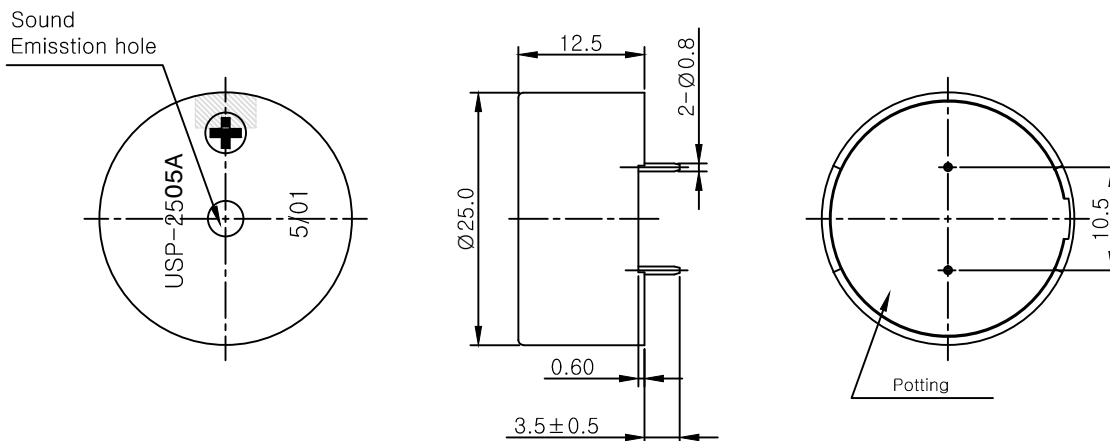
- ◆ Dip-solderable & washable
- ◆ Pleasant continuous output, logic interrupted "Beeper" effect, or with external a "chime" tone output
- ◆ RoHS Compliant and Lead Free are Applied

◆ Specifications

Rated Voltage	Vp-p	5.0
Operating Voltage	Vp-p	3.0~6.0
● Rated Current	mA	Max 80
Coil Resistance	Ω	33±5
● Sound output at 10cm	dB	Min 85(TYP90)
Resonant Frequency	Hz	800
Operating Temperature	°C	-40 ~ +85
Storage Temperature	°C	-40 ~ +85
Weight	g	8.5

- Value Applying Rated Voltage (800Hz, 1/2 duty, square wave)

◆ Dimensions



Unit : mm
Housing Material : Noryl(SE1-GFN2J)