

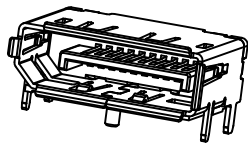
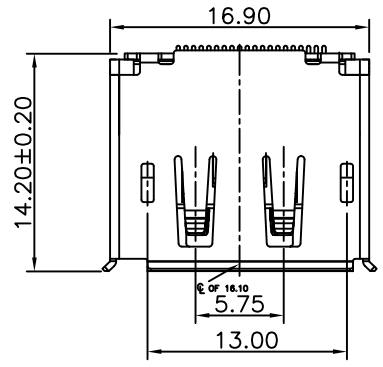
RoHS Compliant

3167-SERIES DISPLAY PORT CONNECTOR SMT TYPE

REV	DATE	DESCRIPTION	ECN NO.	NAME
A	09.07.03	NEW RELEASE		HSIEN
B	11.09.15	CHANGE P/N	CECR110006547	TJW

NOTE: 1.MATERIAL:
 HOUSING :HIGH TEMPERATURE PLASTIC, UL94V-0 COLOR:BLACK
 TERMINAL : COPPER ALLOY,T=0.20mm±0.01mm
 SHELL : COPPER ALLOY,T=0.40mm±0.01mm
 2.PLATING :
 TERMINAL : SELECTIVE Au PLATED(SEE ORDER INFORMATION),
 BOTH OVER 50u" min. Ni UNDERPLATED OVERALL.
 SHELL : 30~80u" WELDABLE Ni OVERALL
 3.PACKING : TAPE REEL(G3167-002-H0)
 4.ORDER INFORMATION : G3167-0301XX XX-H0

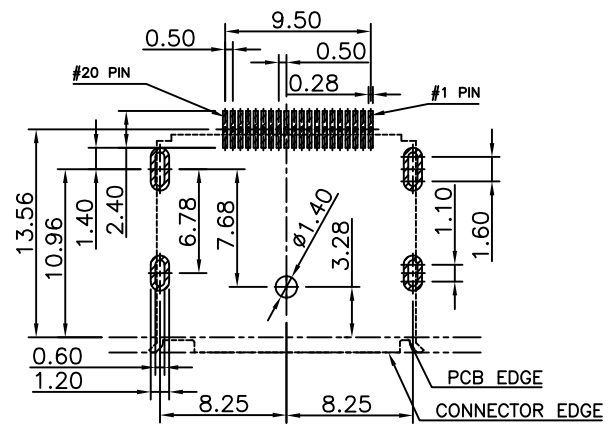
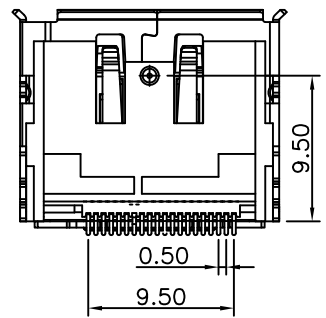
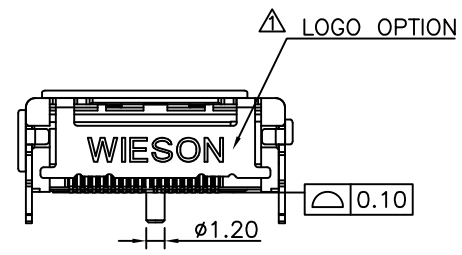
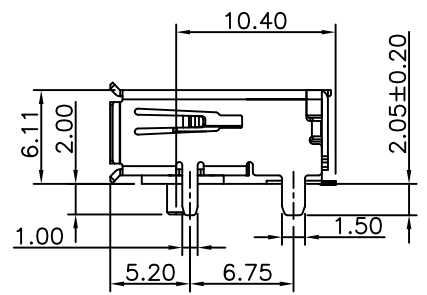
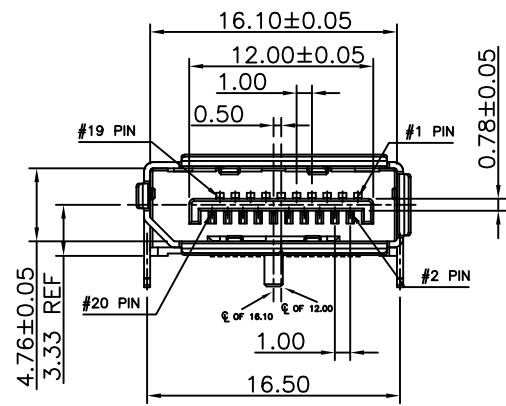
A
B
C
D
E



01:W/ LOGO
 02:W/O LOGO

SELECTIVE Au ON CONTACT AREA,
 100u" MIN. Sn PLATED ON SOLDER TAIL AREA

11 : G/F u"
 12 : 3u"
 13 : 5u"
 14 : 15u"
 15 : 30u"



RECOMMEND PCB LAYOUT ±0.05 (TOP VIEW)

GENERAL TOLERANCE X.X = ±0.20 X.XX = ±0.10 X.X' = ±3'	WIESON TECHNOLOGIES CO., LTD		PART NO.: G3167-0301XXXX-H0	
	DRAWN BY	HSIEN	DRAWING NO.	G3167-0301XXXX-H0
	CHECKED BY	JIM	DRAWING SIZE	2 : 1 A4
	APPROVED BY	KEVIN	UNIT	mm
SORTING NO.		WSC	PAGE	1 OF 1

ISSUED