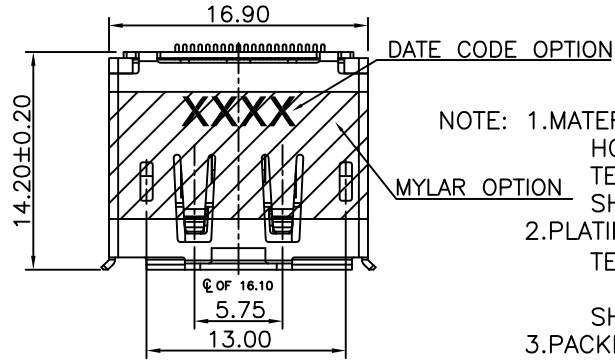


HF Compliant

3167-SERIES DISPLAY PORT CONNECTOR SMT SCREW TYPE

REV	DATE	DESCRIPTION	ECN NO.	NAME
A	11.11.21	PROPOSAL		Allen
A1	12.02.16	△REVISED DRAWING		Allen
B	12.06.15	NEW RELEASE		Allen
C	12.08.23	△UPDATE PLATING	CECR12007091	CLMING
C1	12.11.26	△ADD NEW TYPE		Nate.H
D	13.10.25	△CHANGE MEASUREMENT	CECR13007928	YAI
E	14.01.24	△CHANGE DRAWING	CECR14008176	YAI
F	15.01.27	△ADD PLATED ORDER INFORMATION	CECR15008715	TONY_LI



NOTE: 1.MATERIAL:
 HOUSING :HIGH TEMPERATURE PLASTIC, UL94V-0 COLOR:BLACK.
 TERMINAL : COPPER ALLOY.
 SHELL : COPPER ALLOY.

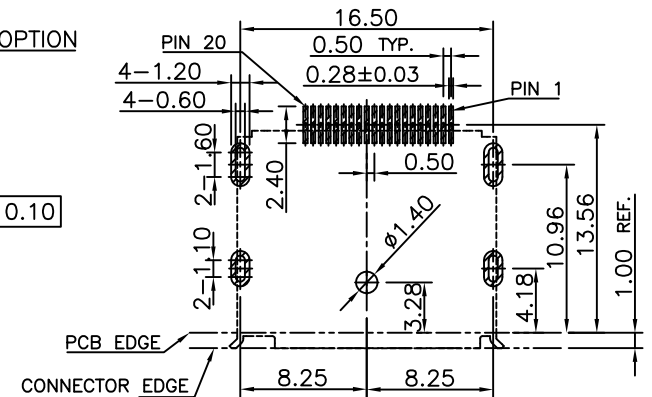
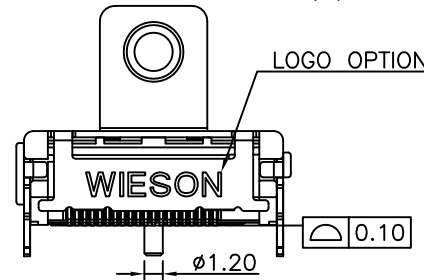
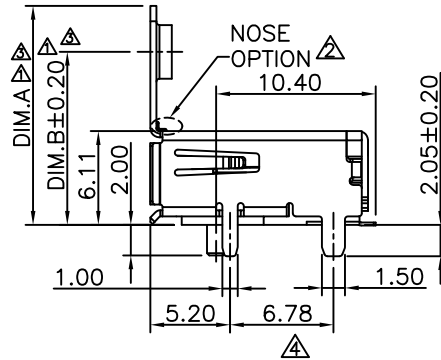
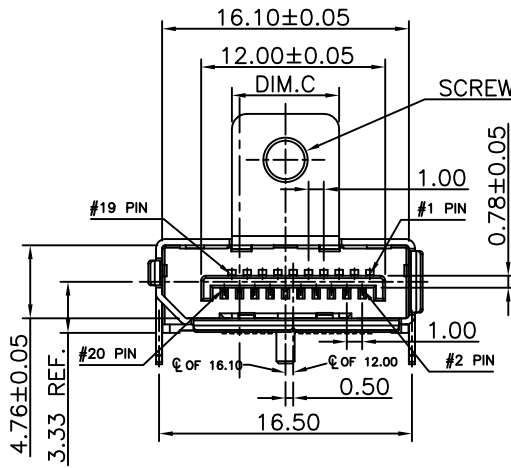
2.PLATING :
 TERMINAL : SELECTIVE Au IN CONTACT AREA(SEE ORDER INFORMATION),
 Sn PLATED ON SOLDER TAIL AREA,BOTH Ni UNDERPLATED OVERALL.
 SHELL : SEE ORDER INFORMATION

3.PACKING : TAPE REEL.

4.ORDER INFORMATION : G3167-09X X X X X X X-H0

①② 1:30~80u" WELDABLE Ni OVERALL;
 2:GOLD FLASH OVERALL, 30~80u" Ni UNDERPLATED OVERALL;

- ① 1:W/ DATE CODE
- ② 1:W/ MYLAR
- ③ 1:TYPE A(W/O NOSE)
- ④ 1:W/ LOGO
- ⑤ 2:W/O DATE CODE
- ⑥ 2:W/O MYLAR
- ⑦ 2:TYPE B(W/O NOSE)
- ⑧ 2:W/O LOGO
- ⑨ 3:TYPE C(W/ NOSE)
- ⑩ 4:TYPE D(W/O NOSE)
- ⑪ 1 : G/F
- ⑫ 2 : 3u"
- ⑬ 3 : 5u"
- ⑭ 4 : 15u"
- ⑮ 5 : 30u"



RECOMMEND PCB LAYOUT (TOP VIEW)
 TOLERANCE: ±0.05mm

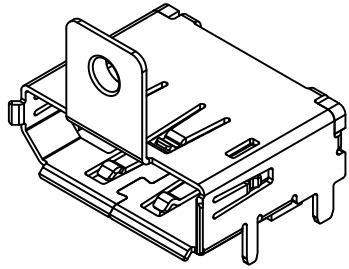
YXJ

GENERAL TOLERANCE	WIESON TECHNOLOGIES CO., LTD WIESON	PART NO.: G3167-09XXXXXX-H0	
X.X = ±0.20		DRAWN BY: Allen Sun (WST)	DRAWING NO.: G3167-09XXXXXX-H0
X.XX = ±0.15	CHECKED BY: YXJ	DRAWING SIZE: 2 : 1	A4
X.X* = ±3'	APPROVED BY: JIM	UNIT: mm	
①②	SORTING NO.: WSC	PAGE: 1 OF 2	

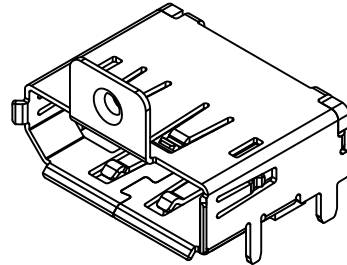
HF Compliant

3167-SERIES DISPLAY PORT CONNECTOR SMT SCREW TYPE

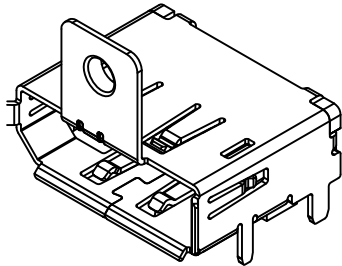
REV	DATE	DESCRIPTION	ECN NO.	NAME
A	11.11.21	PROPOSAL		Allen
A1	12.02.16	△REVISED DRAWING		Allen
B	12.06.15	NEW RELEASE		Allen
C	12.08.23	△UPDATE PLATING	CECR12007091	CLMING
C1	12.11.26	△ADD NEW TYPE		Nate.H
D	13.10.25	△CHANGE MEASUREMENT	CECR13007928	YAI
E	14.01.24	△CHANGE DRAWING	CECR14008176	YAI
F	15.01.27	△ADD PLATED ORDER INFORMATION	CECR15008715	TONY_LI



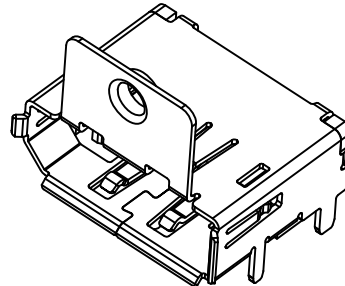
TYPE A



TYPE B



△ TYPE C



△ TYPE D

TYPE	SCREW	DIM. A	DIM. B	DIM. C
TYPE A	(M3X0.5)	14.28	11.28	7.00
TYPE B	(M2X0.4)	11.15	8.76	7.00
△ TYPE C	(M3X0.5)	14.28	11.28	7.00
△ TYPE D	(M3X0.5)	13.70	11.30	11.00

GENERAL TOLERANCE X.X = ±0.20 X.XX = ±0.15 X.X* = ±3*	WIESON TECHNOLOGIES CO., LTD		PART NO.: G3167-09XXXXXX-H0	
	DRAWN BY	Allen Sun (WST)	DRAWING NO.	G3167-09XXXXXX-H0
	CHECKED BY	YXJ	DRAWING SIZE	2 : 1 A4
	APPROVED BY	JIM	UNIT	mm
	SORTING NO.	WSC	PAGE	2 OF 2