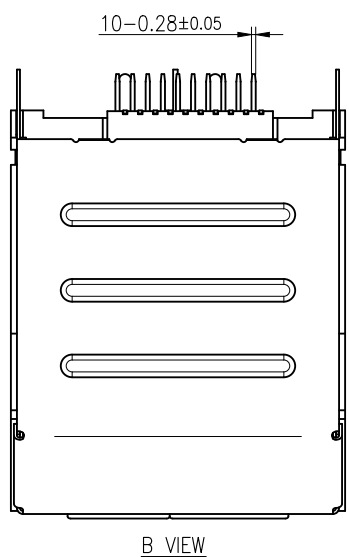
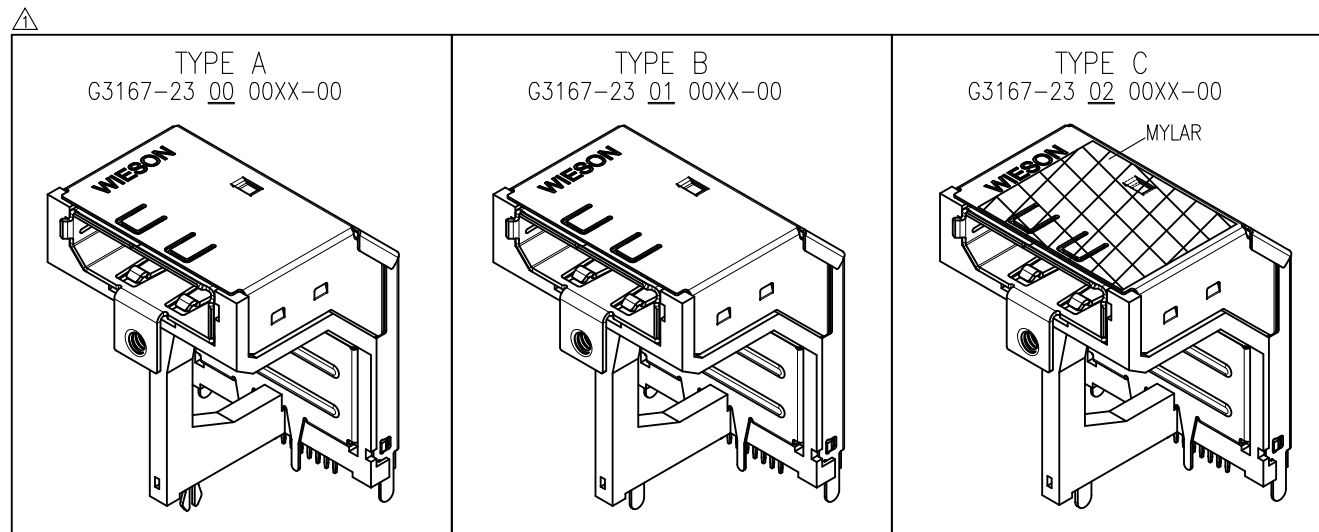
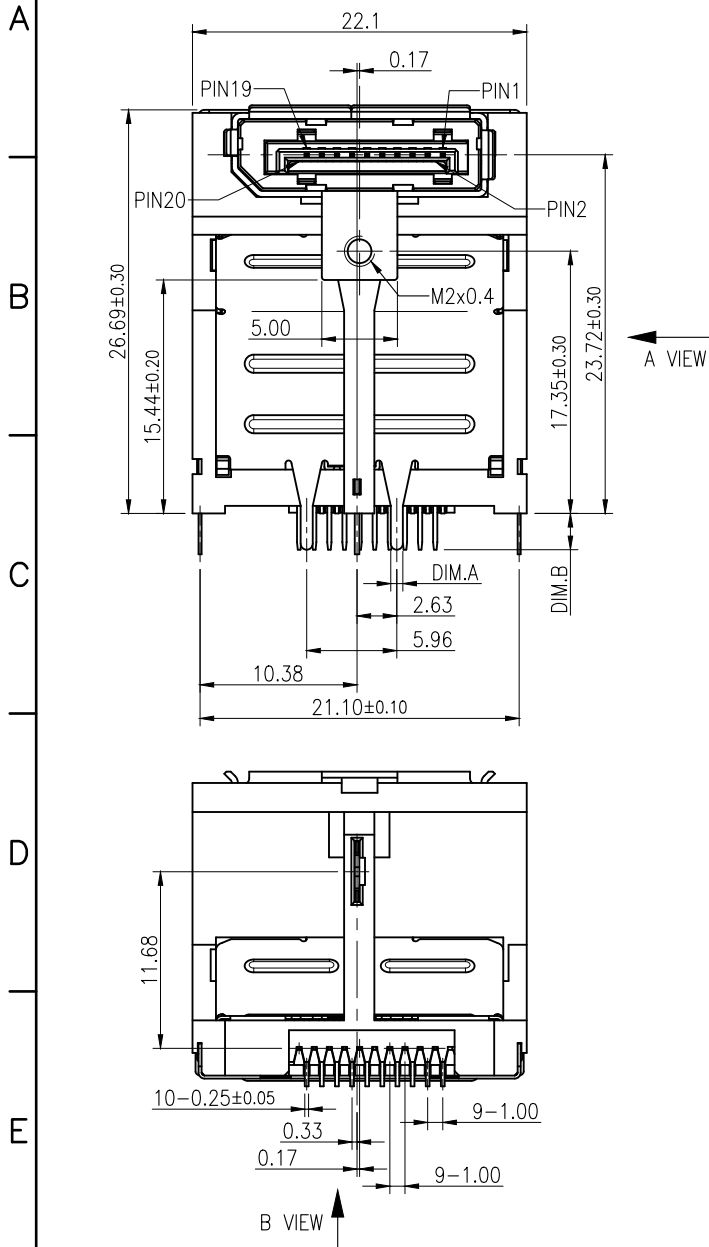


**HF Compliant**

REV	DATE	DESCRIPTION	ECN NO.	NAME
A	17.03.07	NEW RELEASE		Patrick
A1	18.08.20	ADD TYPE		Patrick

G3167-SERIES DISPLAYPORT RIGHT ANGLE RECEPTACLE



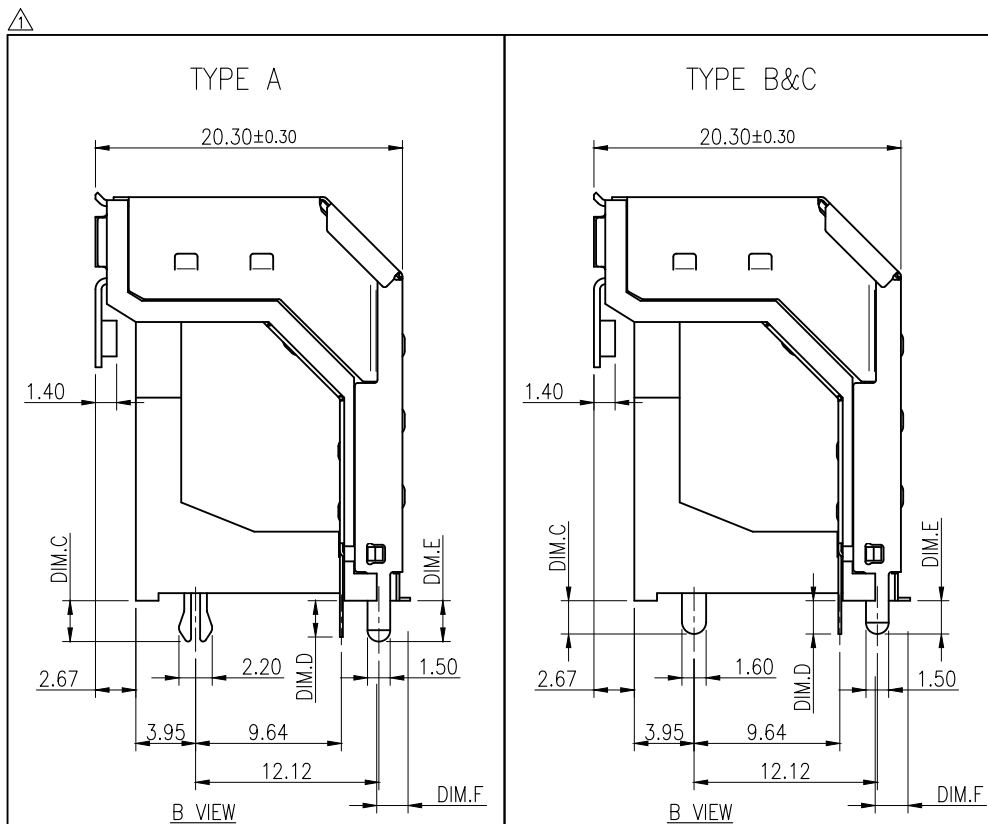
OPTION	TYPE A	TYPE B	TYPE C
DIM.A	2-0.80	2-1.00	2-0.80
DIM.B	2.40	2.00	2.40
OTHER			MYLAR

GENERAL TOLERANCE	WIESON TECHNOLOGIES CO., LTD	PART NO.: G3167-23XX00XX-00	
X.X = ±0.20		DRAWN BY: Patrick	DRAWING NO.: G3167-23XX00XX-00
X.XX = ±0.15	CHECKED BY: Hsien	DRAWING SIZE: 2 : 1	A4
X.X* = ±3*	APPROVED BY: Hsien	UNIT: mm	
⊕	SORTING NO.: WSC	PAGE: 1 OF 3	

**HF Compliant**

REV	DATE	DESCRIPTION	ECN NO.	NAME
A	17.03.07	NEW RELEASE		Patrick

G3167-SERIES DISPLAYPORT RIGHT ANGLE RECEPTACLE



- NOTES:
- MATERIAL:  
HOUSING: HIGH TEMPERATURE THERMOPLASTIC 94V-0, BLACK COLOR  
TERMINAL, HOLD PIN AND SHELL: BRASS  
TOP AND BOTTOM SHELL: STAINLESS STEEL
  - PLATING:  
TERMINAL:  
SELECTIVE Au ON CONTACT AREA (SEE ORDER INFORMATION), Sn ON SOLDER TAIL AREA, BOTH OVER 50 u" MIN. Ni UNDERPLATED OVERALL.  
HOLD PIN: Sn PLATED OVERALL.  
SHELL, TOP AND BOTTOM SHELL:  
SOLDERABLE Ni PLATED OVERALL.
  - PACKING: TRAY
  - ORDER INFORMATION: G3167-23 XX 00 XX -00
- ① 00: TYPE A  
01: TYPE B  
02: TYPE C
- ② 01: 1u" Au  
02: 3u" Au  
03: 15u" Au  
04: 30u" Au

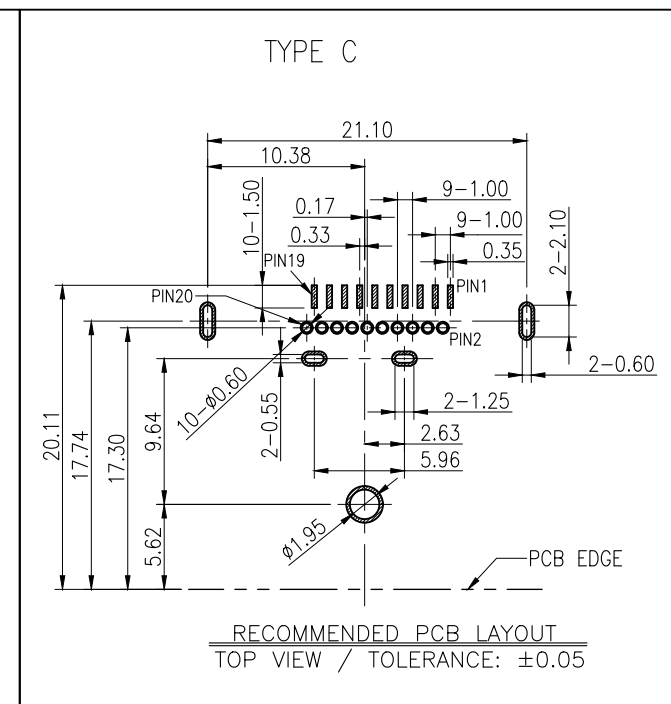
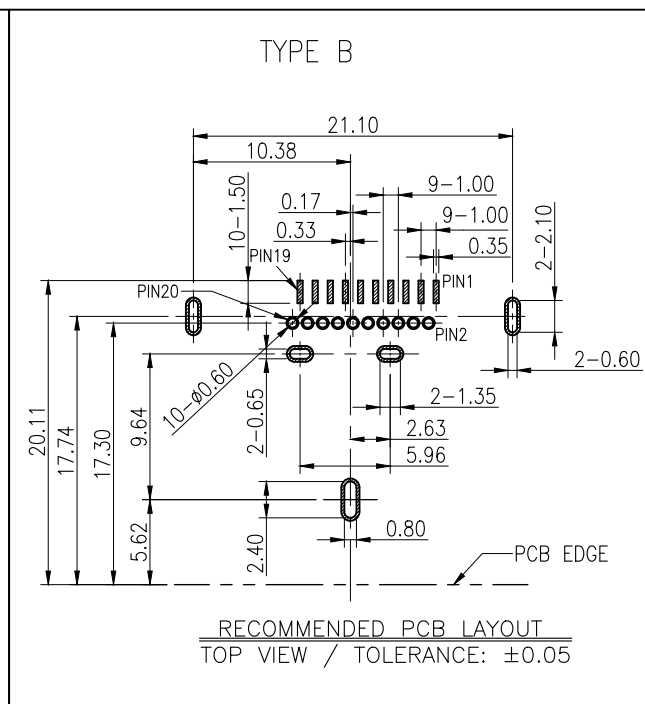
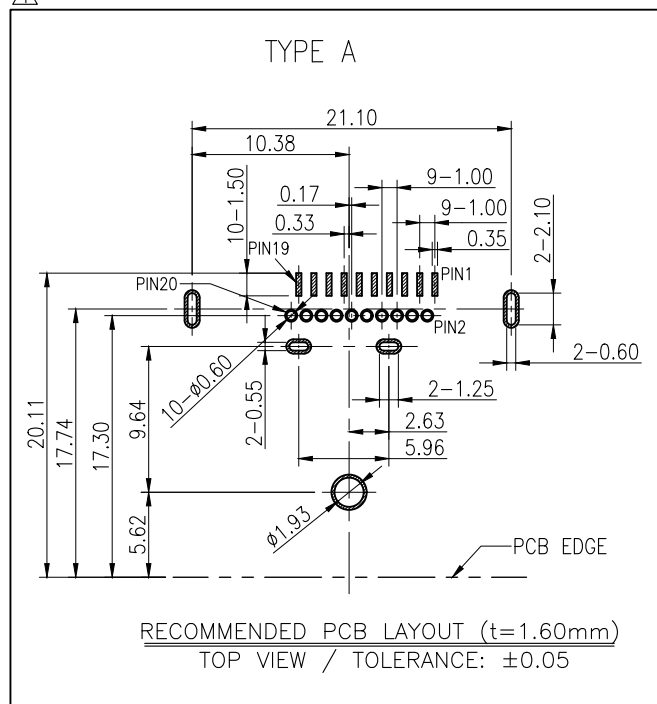
OPTION	TYPE A	TYPE B	TYPE C
DIM.C	2.70	2.20	2.70
DIM.D	2.40	2.20	2.40
DIM.E	2.70	2.20	2.70
DIM.F	2.07	2.17	2.07

GENERAL TOLERANCE	WIESON TECHNOLOGIES CO., LTD	PART NO.: G3167-23XX00XX-00	
X.X = ±0.20		DRAWN BY Patrick	DRAWING NO. G3167-23XX00XX-00
X.XX = ±0.15	CHECKED BY Hsien	DRAWING SIZE 2 : 1	A4
X.X* = ±3*	APPROVED BY Hsien	UNIT mm	
⊕	SORTING NO. WSC	PAGE 2 OF 3	

**HF Compliant**

REV	DATE	DESCRIPTION	ECN NO.	NAME
A	17.03.07	NEW RELEASE		Patrick

G3167-SERIES DISPLAYPORT RIGHT ANGLE RECEPTACLE



<p>GENERAL TOLERANCE</p> <p>X.X = ±0.20</p> <p>X.XX = ±0.15</p> <p>X.X* = ±3°</p>	WIESON TECHNOLOGIES CO., LTD	PART NO.:	
	<p>DRAWN BY</p> <p>Patrick</p>	G3167-23XX00XX-00	
	<p>CHECKED BY</p> <p>Hsien</p>	DRAWING NO.	G3167-23XX00XX-00
	<p>APPROVED BY</p> <p>Hsien</p>	DRAWING SIZE	2 : 1 A4
	<p>SORTING NO.</p> <p>WSC</p>	UNIT	mm
		PAGE	3 OF 3