

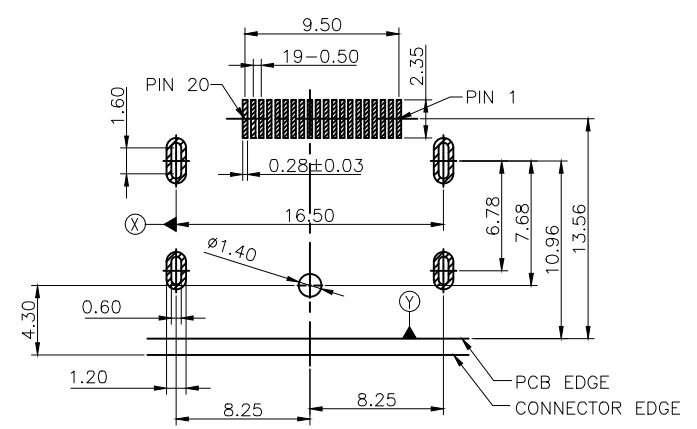
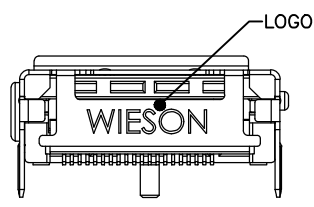
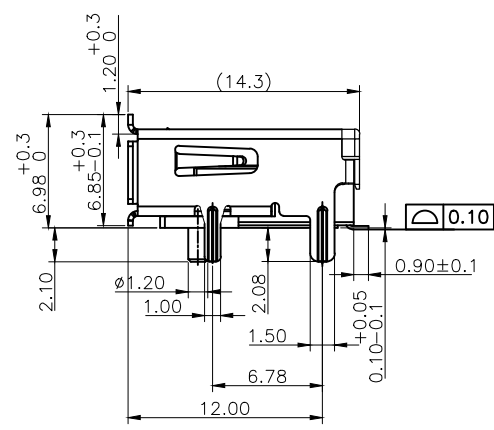
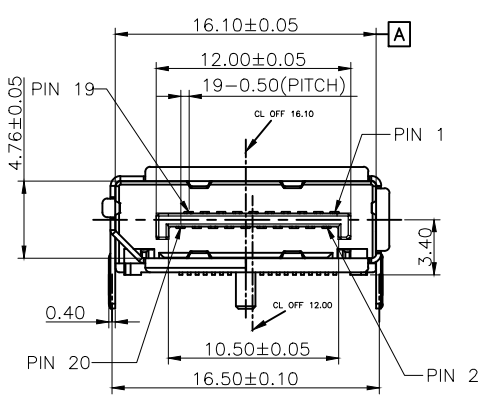
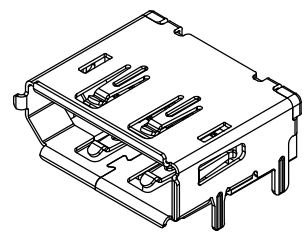
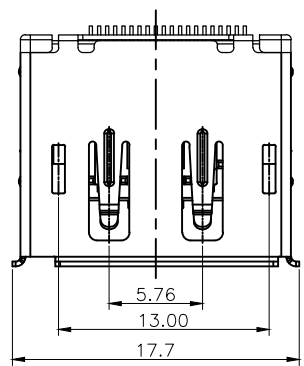
HF Compliant

3167-SERIES DISPLAY PORT CONNECTOR SMT TYPE

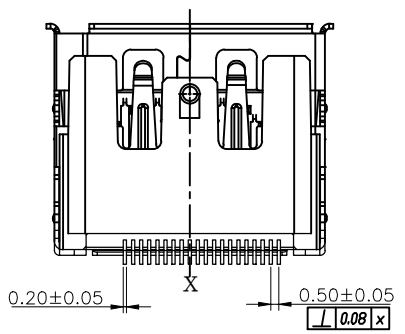
| REV | DATE | DESCRIPTION | ECN NO. | NAME |
|-----|----------|-------------|---------|-------|
| A | 19.05.21 | PROPOSAL | | HHuan |
| B | 19.07.04 | NEW RELEASE | | WCD |

NOTE: 1.MATERIAL:
 HOUSING : HI-TEMPERATUE THERMOPLASTIC, UL94V-0
 HOUSING COLOR : BLACK
 TERMINAL : BRASS
 SHELL : SEE ORDER INFORMATION
 2.PLATING :
 TERMINAL : SELECTIVE Au IN CONTACT AREA(SEE ORDER INFORMATION),Sn ON SOLDER TAIL AREA
 SHELL : 50u" Ni MIN PLATING OVERALL, 50u" Sn PLATED ON SOLDER AREA
 3.PACKING : TAPE REEL
 4.ORDER INFORMATION : G3167-250000 XX-H0

①
 ① — 01 : G/F
 — 02 : 30u"



RECOMMEND PCB LAYOUT ±0.05 (TOP VIEW)



| GENERAL TOLERANCE | WIESON TECHNOLOGIES CO., LTD | PART NO.: G3167-250000XX-H0 | |
|-------------------|------------------------------|-----------------------------|-------------------|
| X.X = ±0.25 | WIESON | DRAWN BY | HHuan |
| X.XX = ±0.15 | | CHECKED BY | YXJ |
| X.X* = ±5° | | APPROVED BY | JIM |
| | | SORTING NO. | CB0156(WSC) |
| | | DRAWING NO. | G3167-250000XX-H0 |
| | | DRAWING SIZE | A4 |
| | | UNIT | mm |
| | | PAGE | 1 OF 1 |