

**RoHS Compliant**

# 3167-SERIES DOUBLE DISPLAY PORT CONNECTOR

REV	DATE	DESCRIPTION	ECN NO.	NAME
A	18.08.10	PROPOSAL		HHuan

**MATERIAL**

HOUSING:SEE ORDER INFORMATION (UL94V-0)  
HOUSING COLOR:SEE ORDER INFORMATION

TERMINAL: BRASS

TERMINAL PLATING: SELECTIVE Au IN CONTACT AREA,  
100u" min. Sn IN SOLDER TAIL AREA,  
BOTH OVER 30u" min. Ni UNDERPLATED  
OVERALL

SHELL(UPPER&LOWER): SEE ORDER INFORMATION

SHELL(LOWER) PLATING: Sn IN SOLDER AREA,  
30u" min. Ni UNDERPLATED OVERALL

SHIELD: STAINLESS STEEL

**ORDER INFORMATION**

G7415-07 XX XX XX -XX

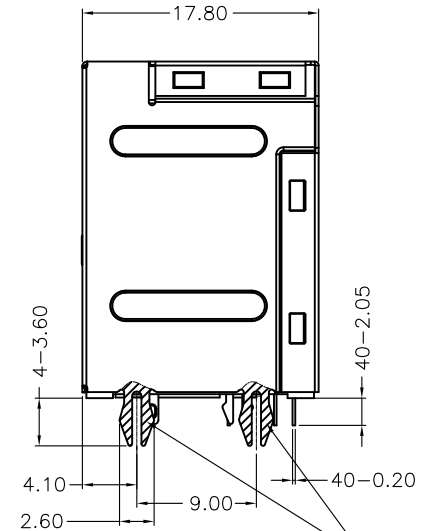
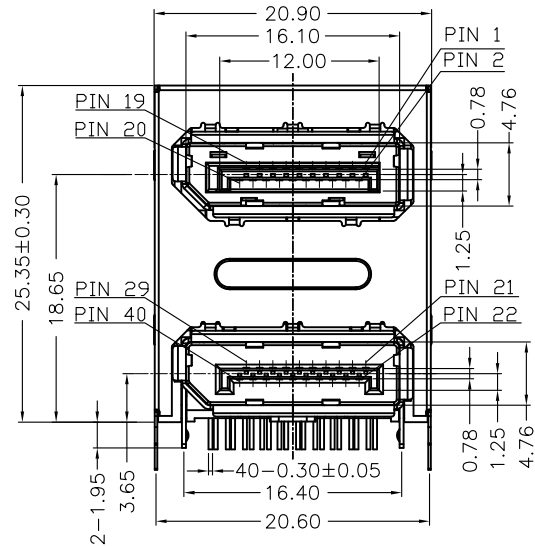
① ② ③

00: ROHS  
HO: HALOGEN FREE

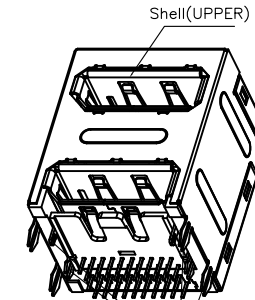
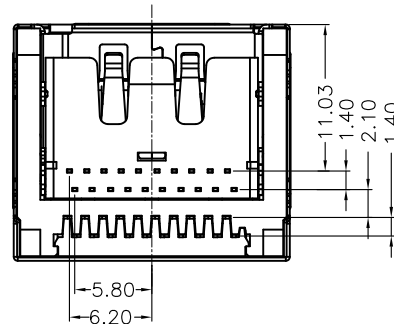
① HOUSING MATERIAL&COLOR  
00: LCP&BLACK;

② SHELL MATERIAL  
00: STAINLESS STEEL

③ TERMINAL PLATING  
01: GOLD FLASH  
02: 15u" Au  
03: 30u" Au

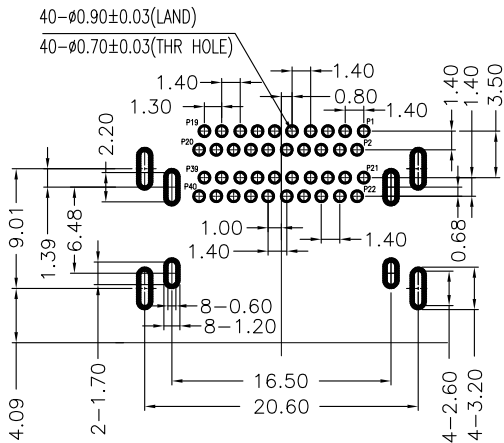


Shield:Hot Dip Tin



Shell(UPPER)

Shell(LOWER):Tin Plated in Solder Area



RECOMMENDED P.C.BOARD  
HOLE LAYOUT

NOTE:1. P.C.B LAYOUT TOLERANCE:±0.05mm

GENERAL TOLERANCE ± 0.25mm	WIESON TECHNOLOGIES CO., LTD		PART NO.: G7415-07XXXXXX-XX	
	WIESON	DRAWN BY	HHuan(WSC)	DRAWING NO. G7415-07XXXXXX-XX
GENERAL ANGLE TOLERANCE ± 3°	CHECKED BY	JINKENS	DRAWING SIZE A4	
	APPROVED BY	JINKENS	UNIT	mm
④	SORTING NO.	CA0009(WSC)	PAGE	1 OF 1

PROPOSAL

[ARTICLE:044033 V6]