

**HF Compliant**

**3167-SERIES DISPLAY PORT+HDMI COMBO**

REV	DATE	DESCRIPTION	ECN NO.	NAME
A	18.08.07	PROPOSAL		HHuan

**MATERIAL**

HOUSING(DP):SEE ORDER INFORMATION (UL94V-0)  
 HOUSING(DP) COLOR: SEE ORDER INFORMATION  
 HOUSING(HDMI): SEE ORDER INFORMATION (UL94V-0)  
 HOUSING(HDMI) COLOR: SEE ORDER INFORMATION  
 TERMINAL(DP): BRASS  
 TERMINAL(DP) PLATING: SELECTIVE Au IN CONTACT AREA, 80u" min. Sn IN SOLDER TAIL AREA, BOTH OVER 30u" min. Ni UNDERPLATED OVERALL  
 TERMINAL(HDMI): BRASS  
 TERMINAL(HDMI) PLATING: SELECTIVE Au IN CONTACT AREA  
 SHELL(DP&HDMI): SEE ORDER INFORMATION  
 SHELL PLATING: Ni PLATED  
 SHIELD: SPCC  
 GROUNDING: STAINLESS STEEL

**ORDER INFORMATION**

G7415-05 XX XX XX -XX

① ② ③ — 00: ROHS  
 HO: HALOGEN FREE

① HOUSING MATERIAL&COLOR

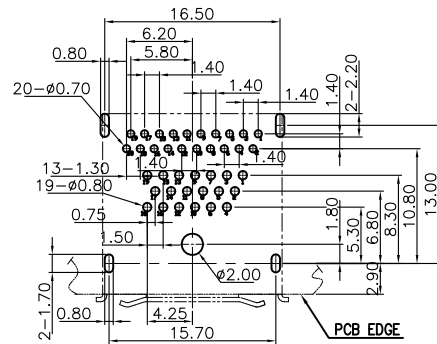
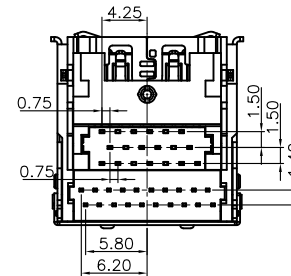
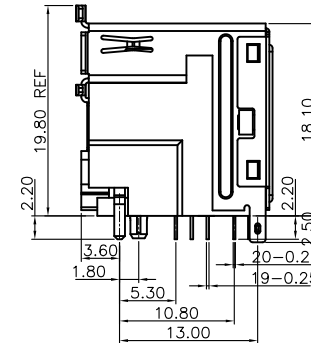
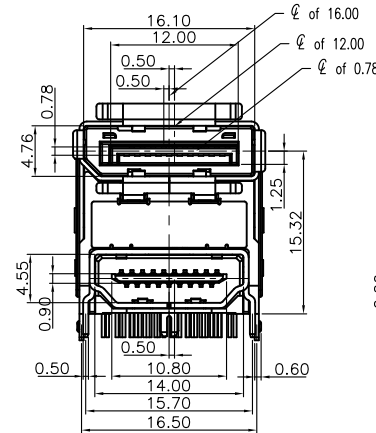
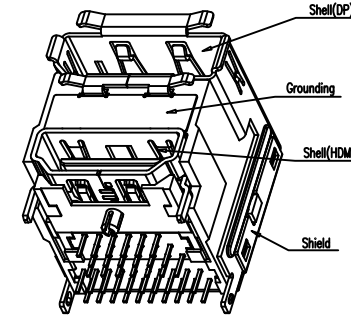
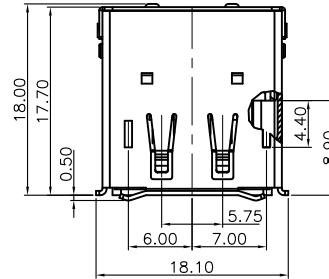
00: DP: PBT&BLACK; HDMI:LCP&BLACK  
 01: DP: LCP&BLACK; HDMI:LCP&BLACK

② SHELL MATERIAL

00: COPPER ALLOY

③ TERMINAL PLATING

01: GOLD FLASH  
 02: 15u" Au



RECOMMENDED P.C.BOARD  
 HOLE LAYOUT

NOTE:1. P.C.B LAYOUT TOLERANCE:±0.05mm  
 2. THIS IS FOR HALOGEN FREE PART.

GENERAL TOLERANCE ± 0.25mm	WIESON TECHNOLOGIES CO., LTD		PART NO.: G7415-05XXXXXX-XX	
	WIESON		DRAWN BY	HHuan(WSC)
GENERAL ANGLE TOLERANCE ± 3°	CHECKED BY	JINKENS	DRAWING NO.	G7415-05XXXXXX-XX
	APPROVED BY	JINKENS	DRAWING SIZE	A4
⊙	SORTING NO.	CA0009(WSC)	UNIT	mm
			PAGE	1 OF 1

**PROPOSAL**

[ARTICLE:044033 V6]